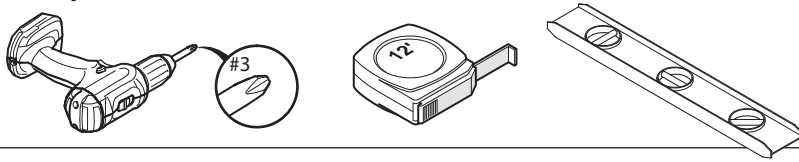
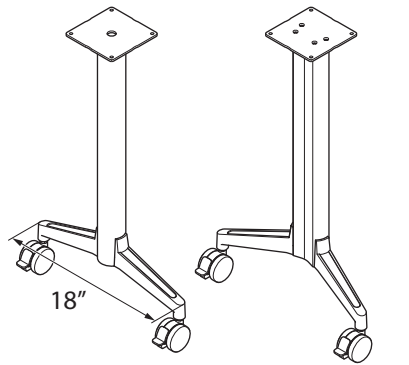


JIVE®
Flip Top
 Installation Instructions

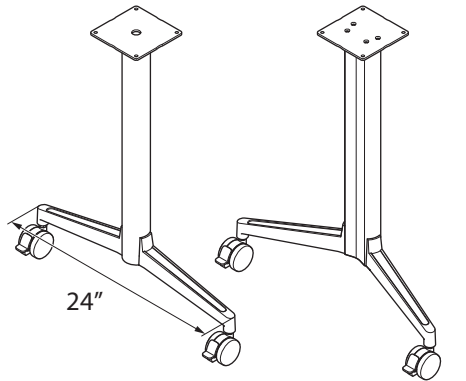
Tools Required



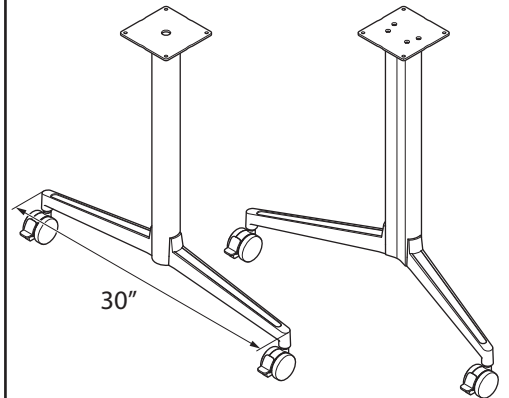
ROUND LEG **EXTRUDED LEG**



ROUND LEG **EXTRUDED LEG**



ROUND LEG **EXTRUDED LEG**

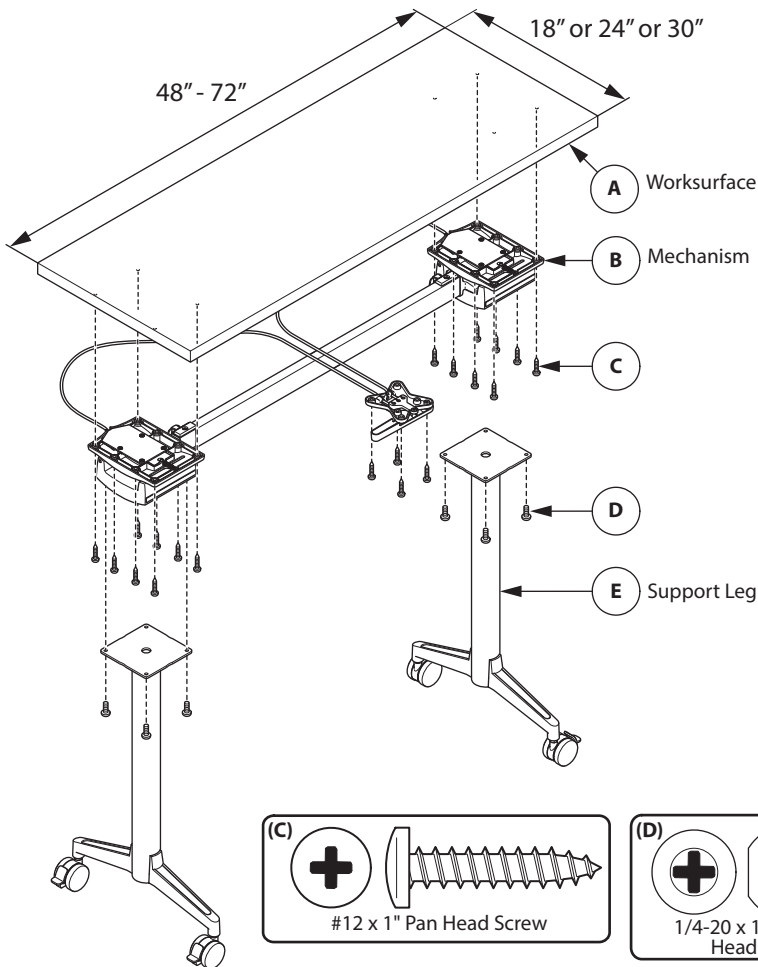


NOTE: C-Leg is not shown.

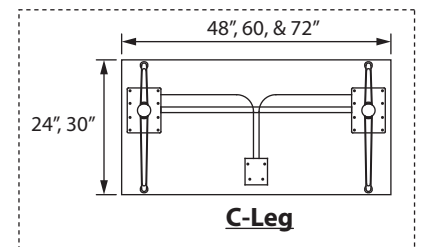
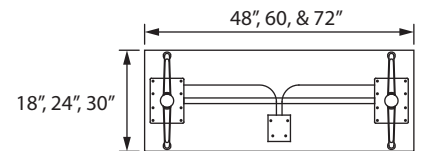
NOTE: C-Leg is not shown.

NOTE: C-Leg is not shown.

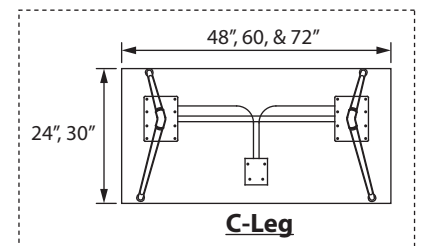
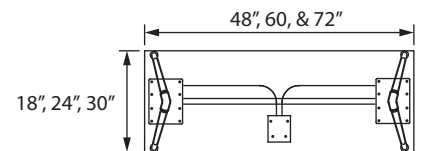
FOR DESK 48" - 72"



ROUND LEG



EXTRUDED LEG



CUSTOMER SERVICE PHONE: 1-800-426-8562

HAWORTH®

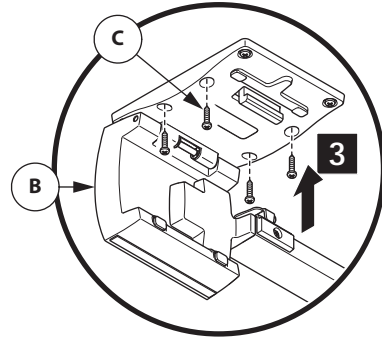
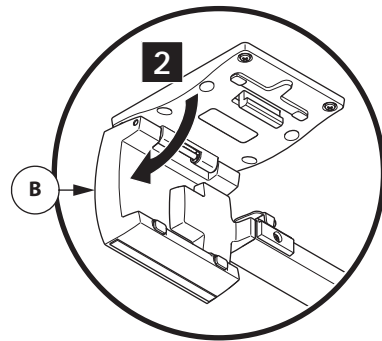
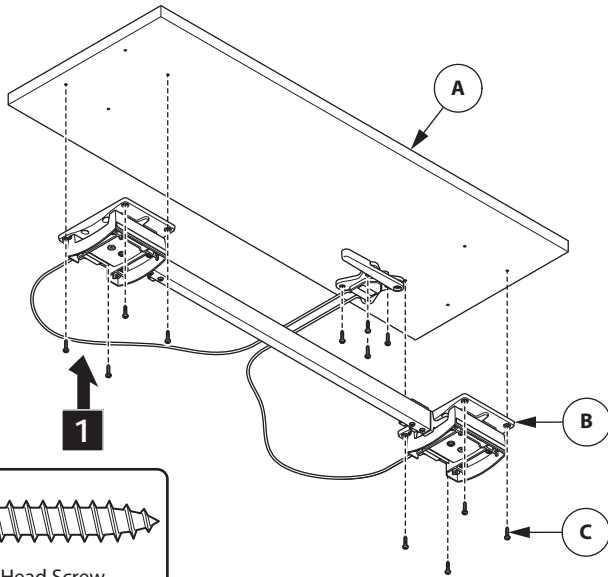
E.C.O. No: 245-547

Page: 1 of 2

Part No: 7029-9965

Rev: 1

1



2

