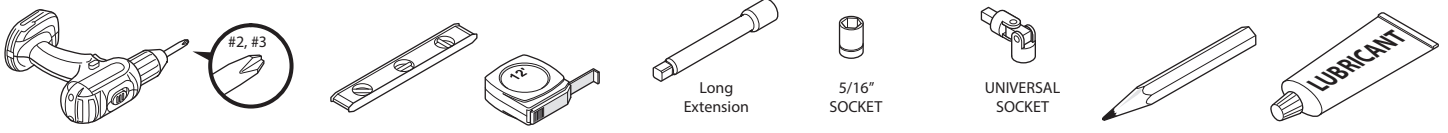
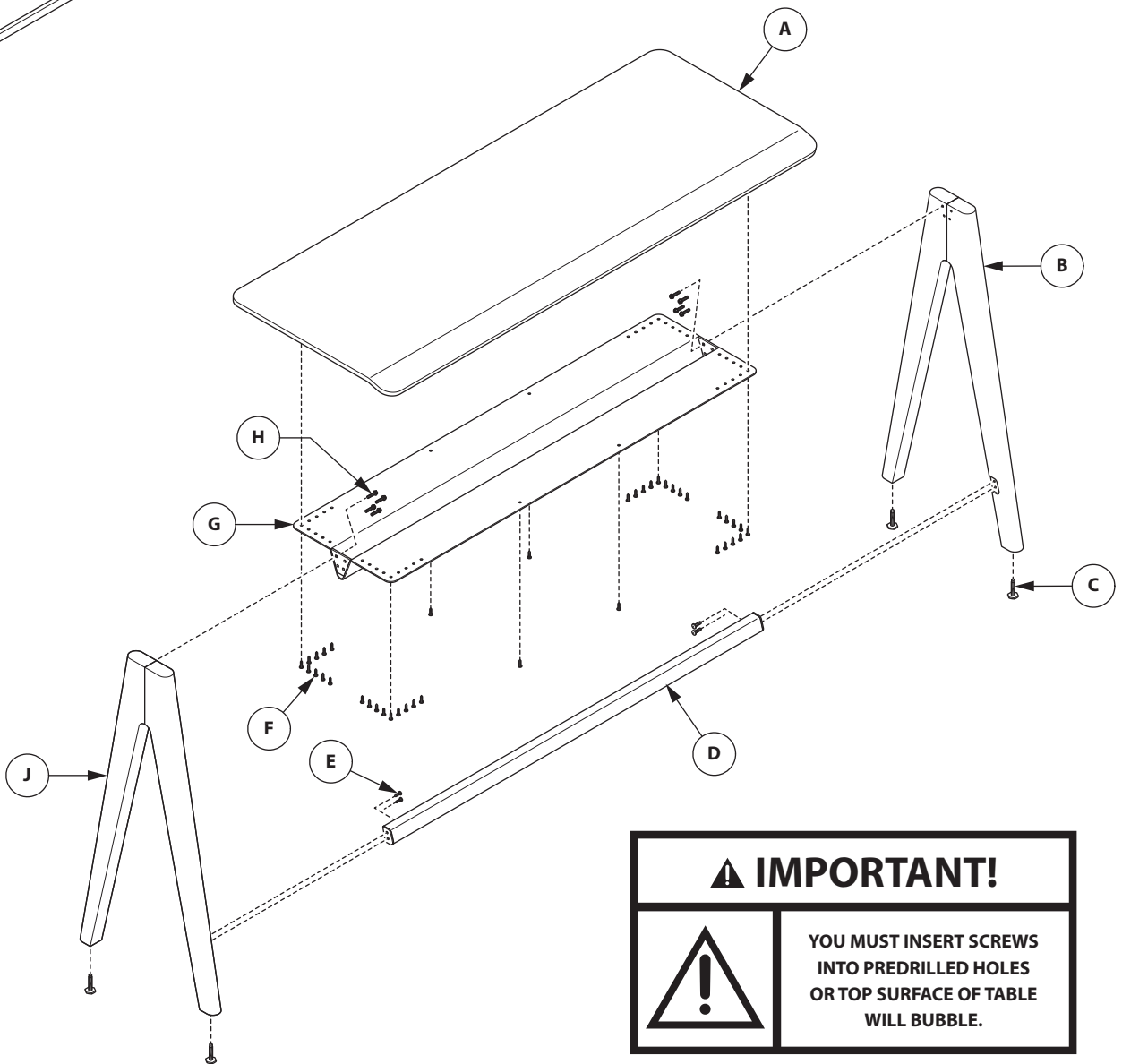
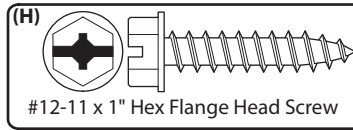
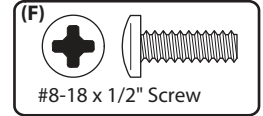
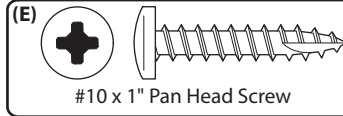
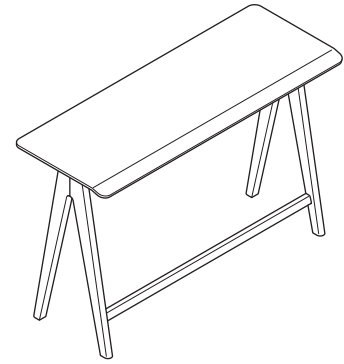


IMMERSE®
Ledge Table
 Installation Instructions

Tools Required



PARTS-WOOD LEGS ONLY



▲ IMPORTANT!

YOU MUST INSERT SCREWS INTO PREDRILLED HOLES OR TOP SURFACE OF TABLE WILL BUBBLE.

CUSTOMER SERVICE PHONE: 1-800-426-8562

HAWORTH®

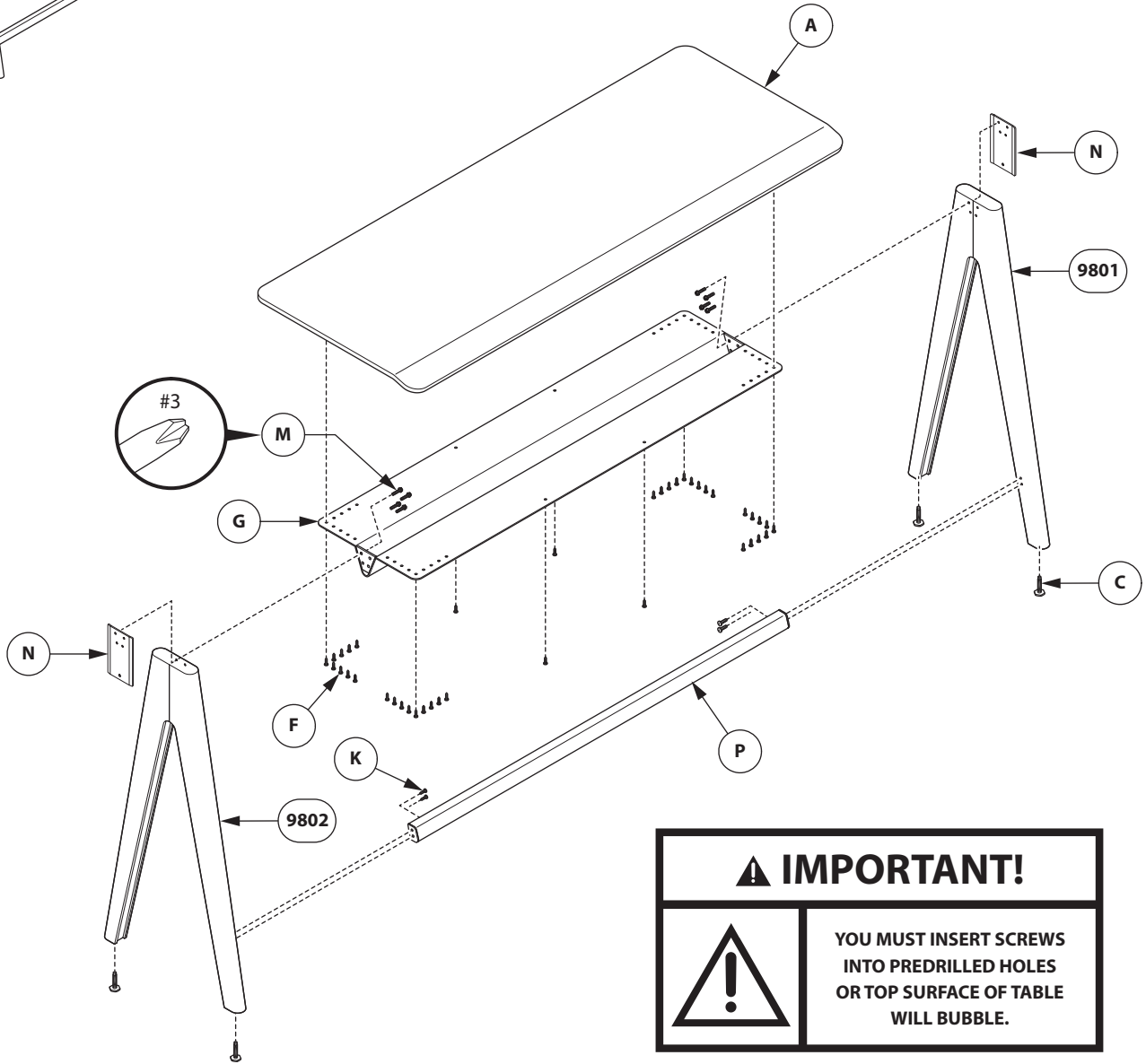
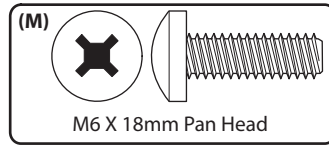
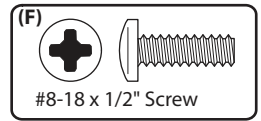
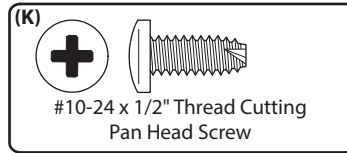
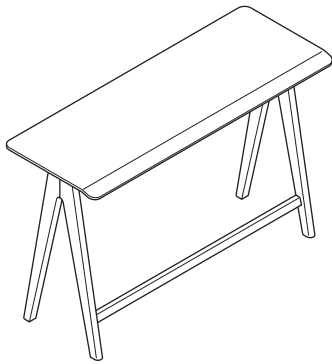
E.C.O. No: 245-581

Page: 1 of 4

Part No: 7029-9979

Rev: 4

PARTS-PAINTED LEGS ONLY



▲ IMPORTANT!

YOU MUST INSERT SCREWS INTO PREDRILLED HOLES OR TOP SURFACE OF TABLE WILL BUBBLE.

CUSTOMER SERVICE PHONE: 1-800-426-8562

HAWORTH®

E.C.O. No: 245-581

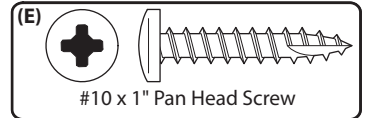
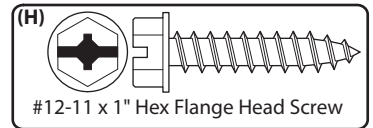
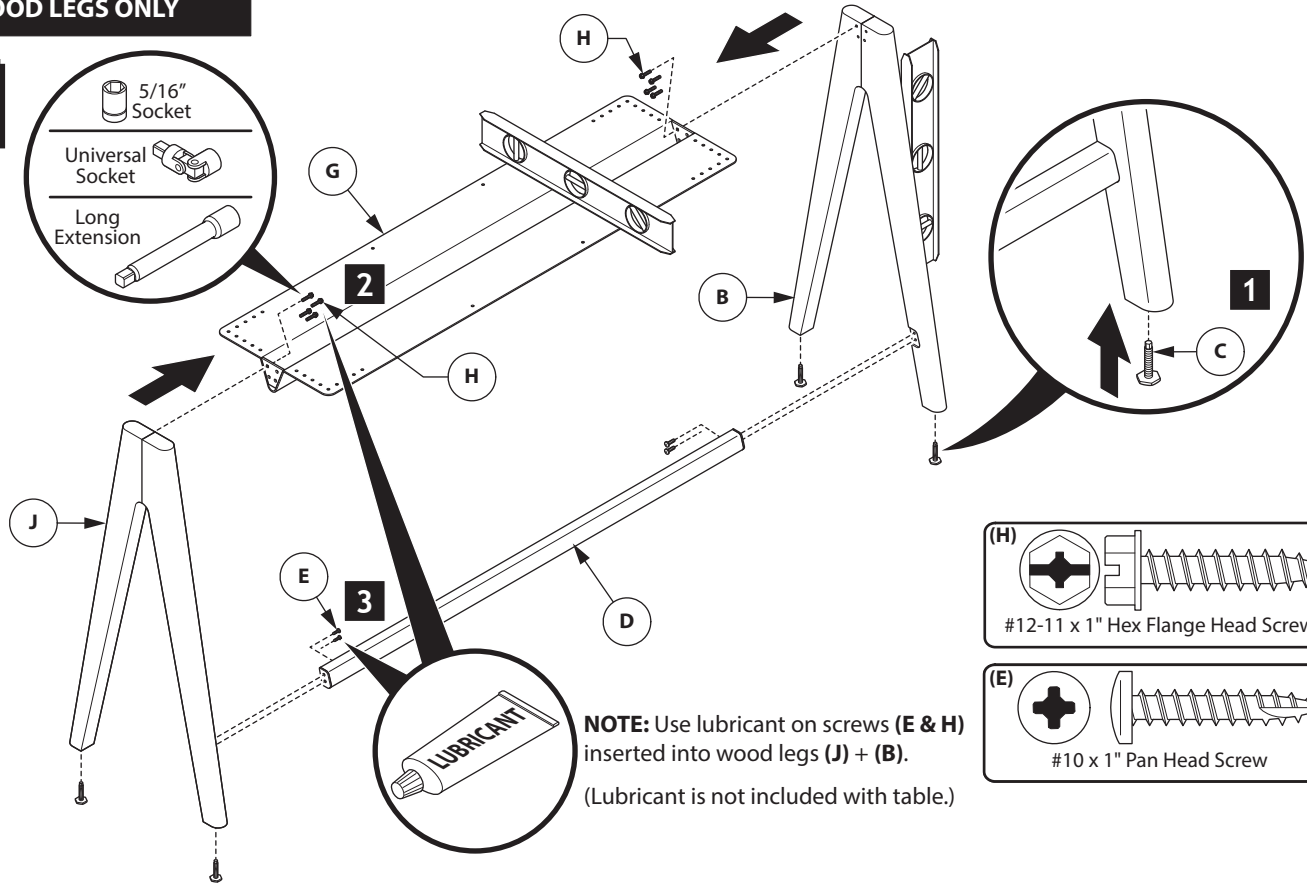
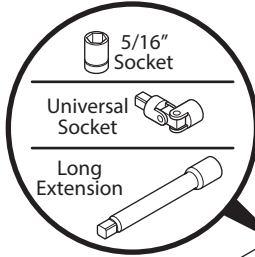
Page: 2 of 4

Part No: 7029-9979

Rev: 4

FOR WOOD LEGS ONLY

1

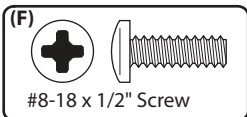


NOTE: Use lubricant on screws (E & H) inserted into wood legs (J) + (B).
(Lubricant is not included with table.)

FOR WOOD LEGS ONLY

2

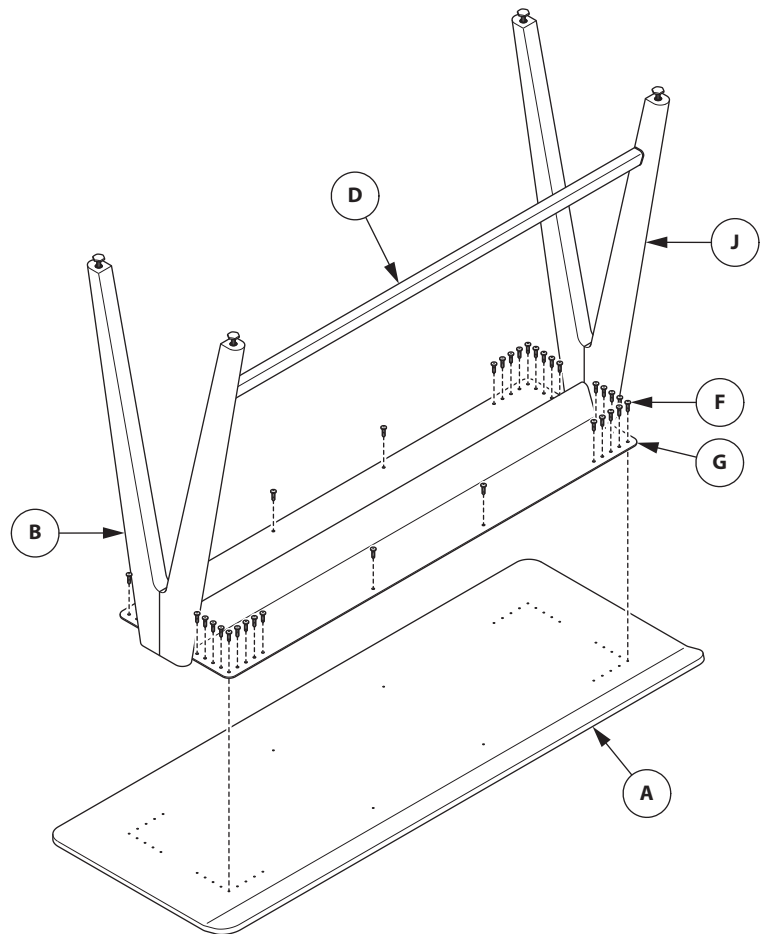
NOTE: Worksurface waterfall edge (A) must be on the same side as the foot support (D).



IMPORTANT!



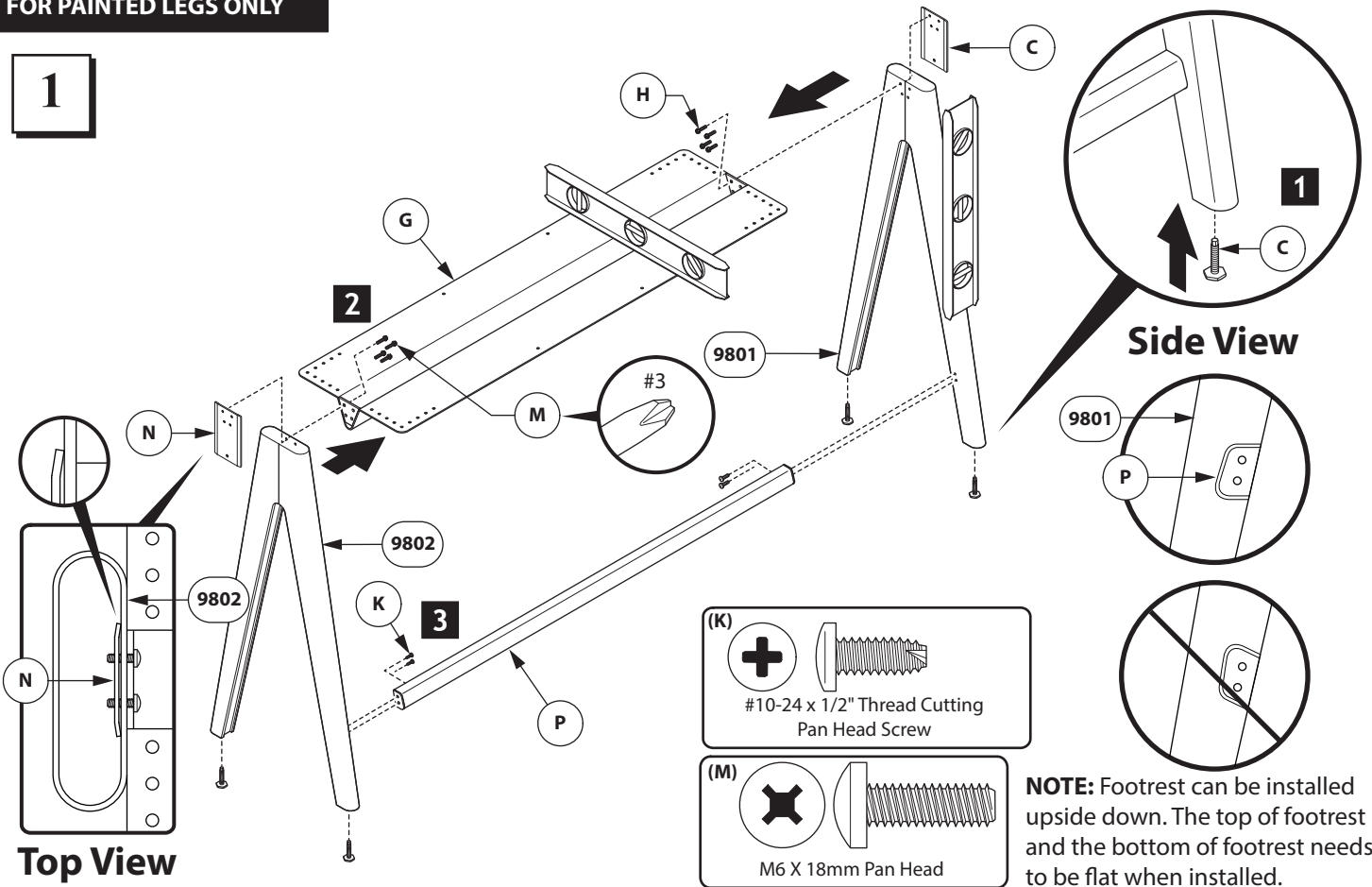
YOU MUST INSERT SCREWS INTO PREDRILLED HOLES OR TOP SURFACE OF TABLE WILL BUBBLE.



CUSTOMER SERVICE PHONE: 1-800-426-8562

FOR PAINTED LEGS ONLY

1



FOR PAINTED LEGS ONLY

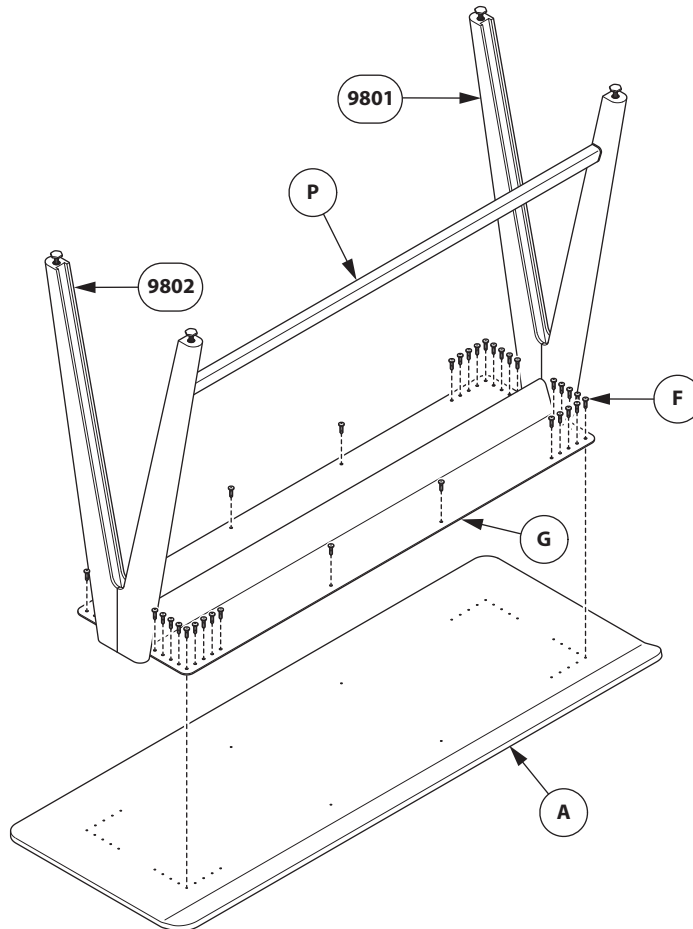
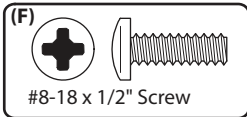
2

NOTE: Worksurface waterfall edge (A) must be on the same side as the foot support (P).

IMPORTANT!



YOU MUST INSERT SCREWS INTO PREDRILLED HOLES OR TOP SURFACE OF TABLE WILL BUBBLE.



CUSTOMER SERVICE PHONE: 1-800-426-8562