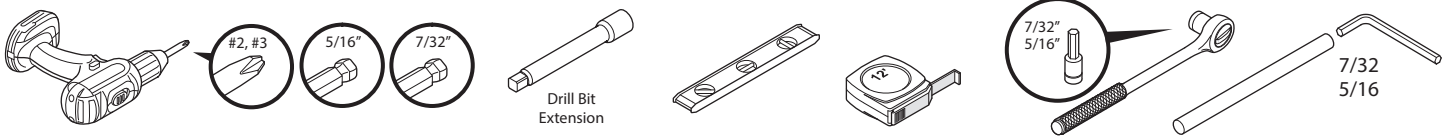
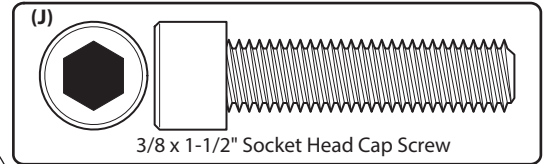
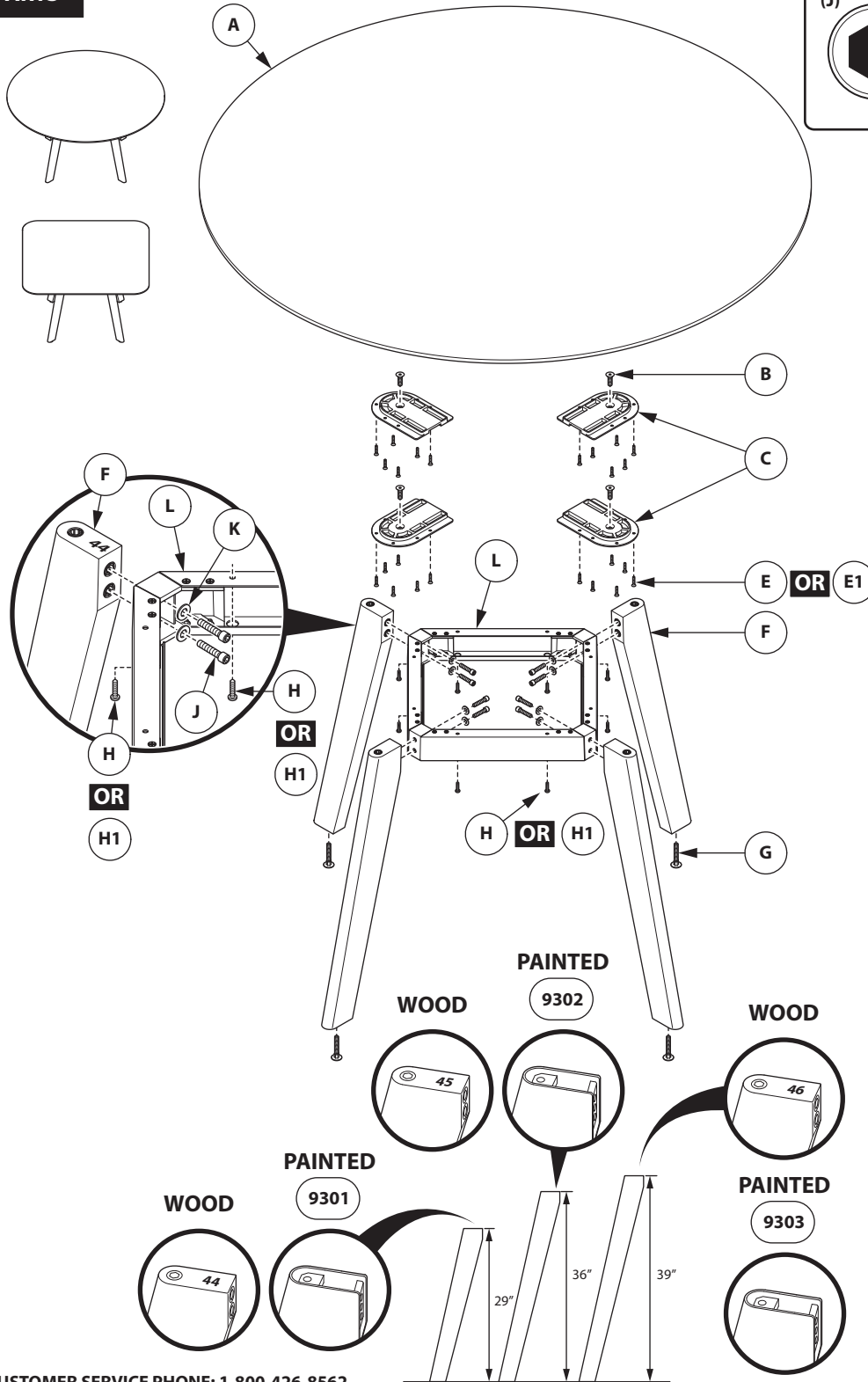


IMMERSE®
Round/Square Tables
 Installation Instructions

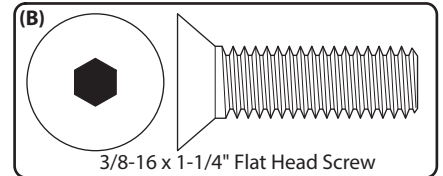
Tools Required



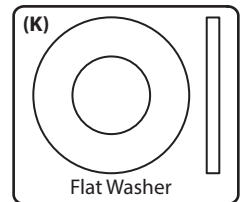
PARTS



3/8 x 1-1/2" Socket Head Cap Screw

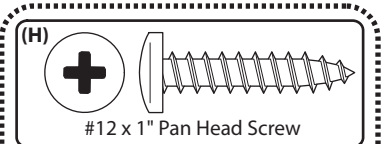


3/8-16 x 1-1/4" Flat Head Screw

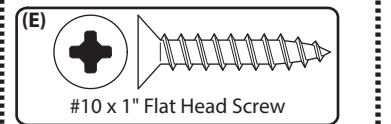


Flat Washer

FOR WOOD/PAINTED & LAMINATE TOPS

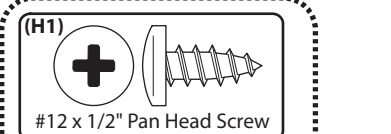


#12 x 1" Pan Head Screw

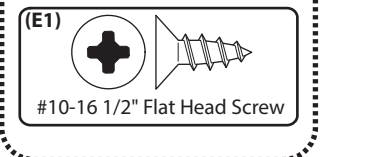


#10 x 1" Flat Head Screw

FOR SOLID SURFACE TOPS



#12 x 1/2" Pan Head Screw



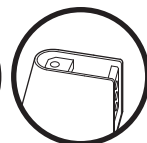
#10-16 1/2" Flat Head Screw

PAINTED

WOOD

9302

WOOD



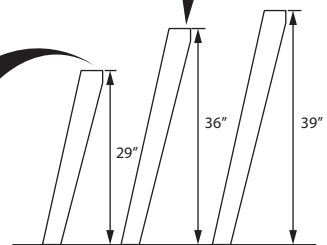
PAINTED

WOOD

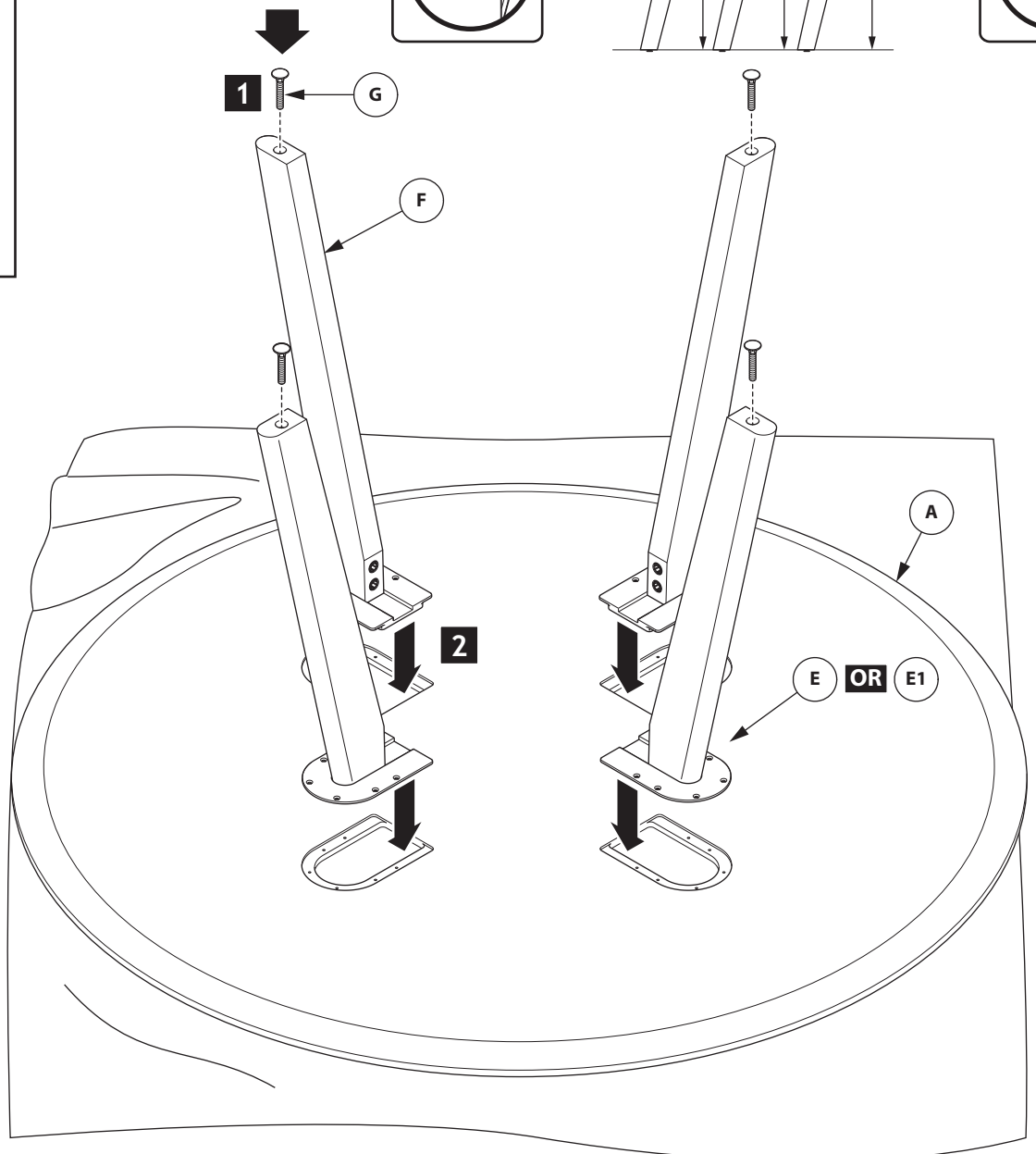
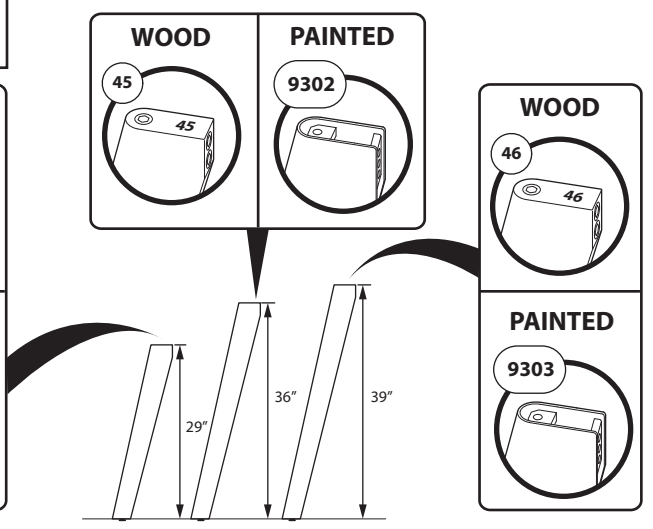
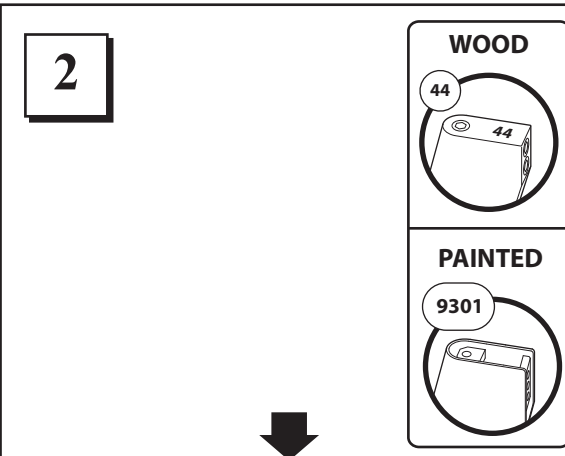
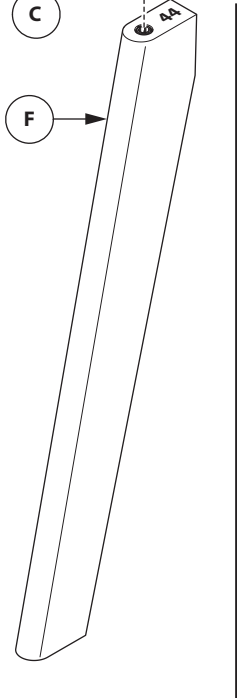
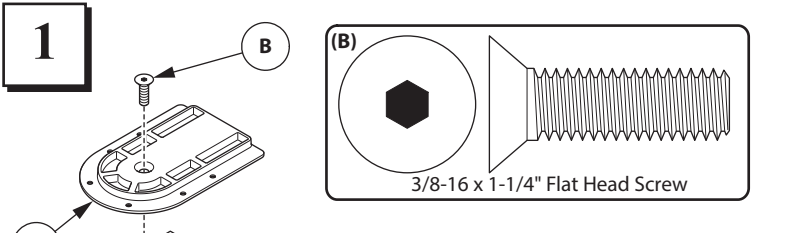
9301

PAINTED

9303



CUSTOMER SERVICE PHONE: 1-800-426-8562

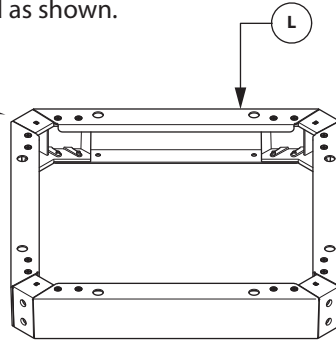
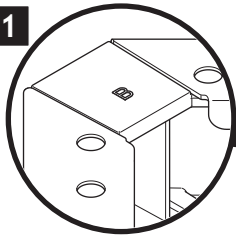
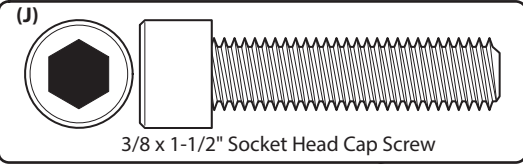
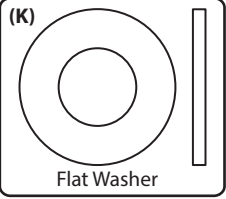


CUSTOMER SERVICE PHONE: 1-800-426-8562

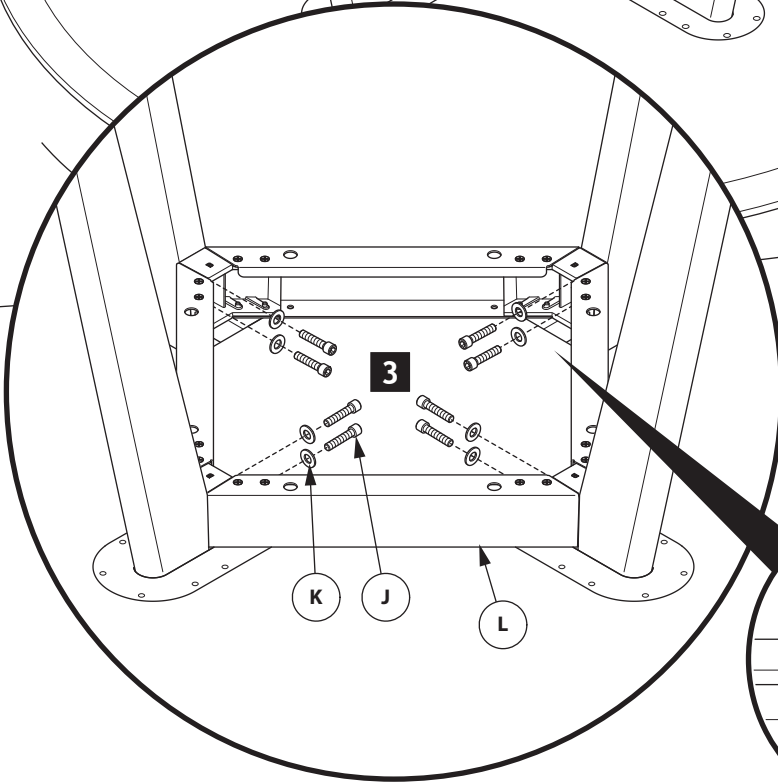
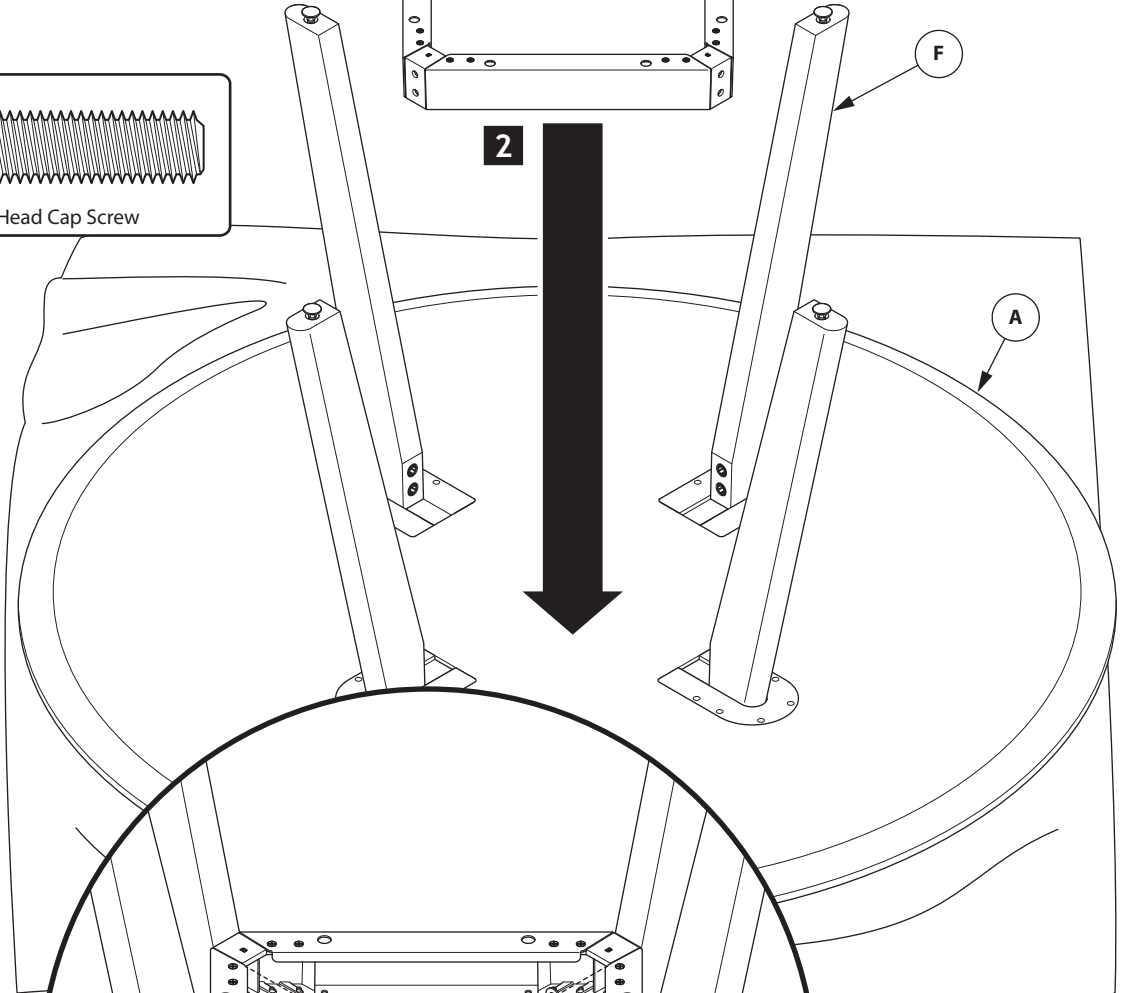
3

1

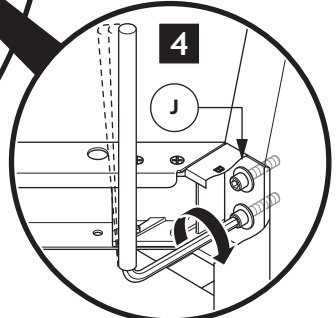
NOTE: Make sure frame (F) is oriented as shown.



2



3



Hand tighten all bolts using extension for extra torque/leverage.

CUSTOMER SERVICE PHONE: 1-800-426-8562

HAWORTH®

E.C.O. No: 245-581

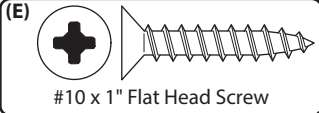
Page: 3 of 4

Part No: 7029-9978

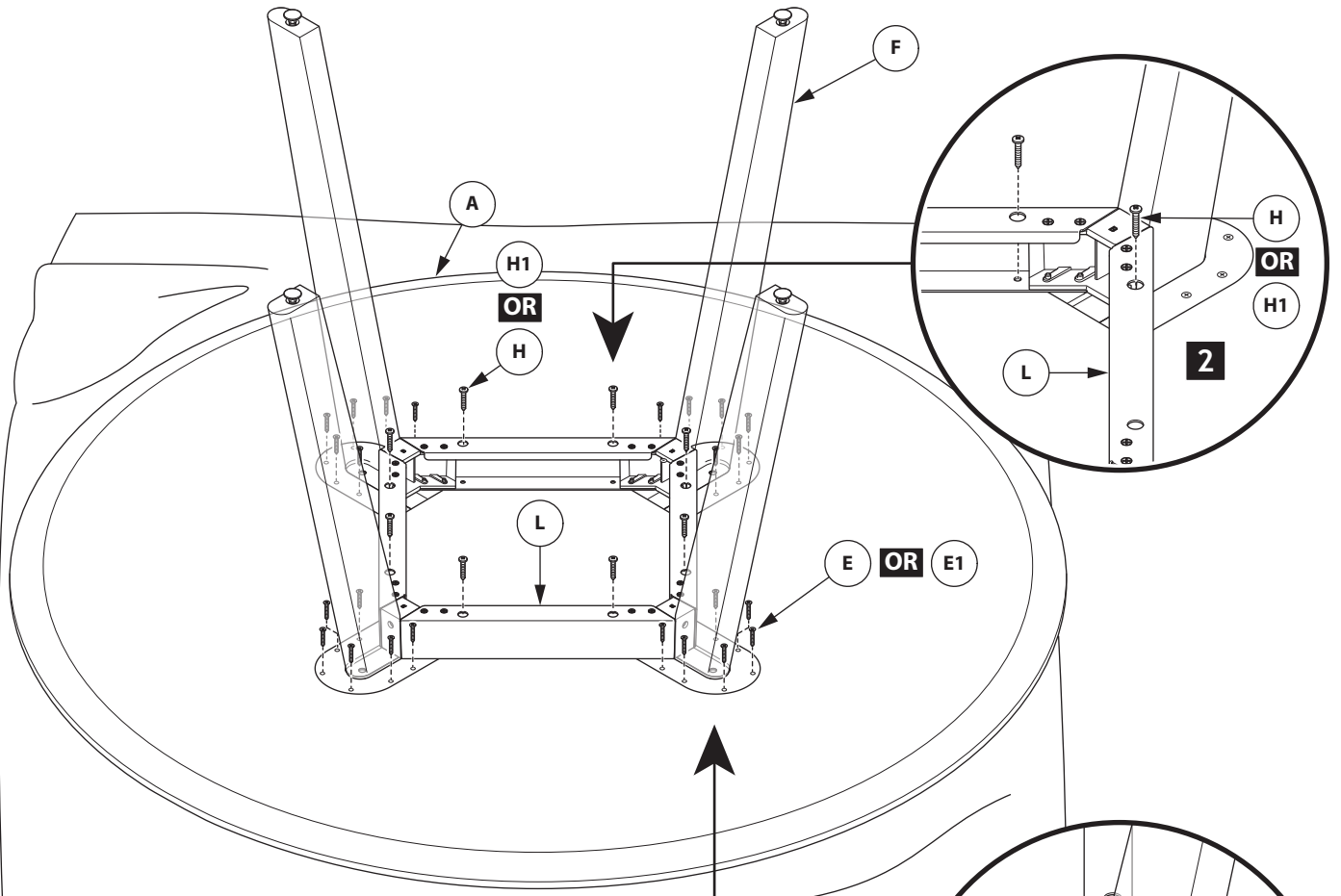
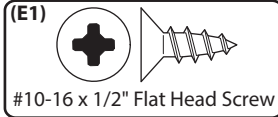
Rev: 4

4

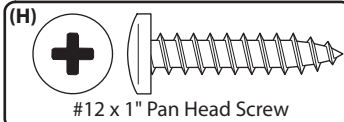
**FOR WOOD/PAINTED
& LAMINATE TOPS**



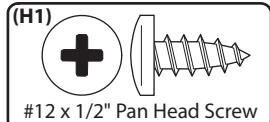
FOR SOLID SURFACE TOPS



**FOR WOOD/PAINTED
& LAMINATE TOPS**



FOR SOLID SURFACE TOPS



CUSTOMER SERVICE PHONE: 1-800-426-8562