

Swell

Pablo Designs | Pablo Studio | 2015 | Imported from China

Features and Specifications

Voltage:	120V 60Hz
Power consumption:	11 watts per light
Color temperature:	3000K
Luminosity:	800 lumens per light
Luminaire efficacy:	73 lumens/watt
Color rendition index:	82
Rated lifespan:	40,000 hours
Bulb type:	LED
Cord length:	10 feet, field cuttable (pendant lights) 8 feet, field cuttable (string lights)

Pendant Lights and Chandeliers

Swell indoor/outdoor pendant lights feature interchangeable, spun aluminum shades. The LED lights are fully dimmable. The sockets and check-rings are made of aluminum. The canopy and mounting hardware are made of steel. Chandeliers come with a white canopy. Pendant lights come with a canopy that matches the color of the cord.

Modular Pendant Lights*

Swell indoor/outdoor modular pendant lights feature interchangeable, spun aluminum shades. The LED lights are fully dimmable. The sockets and check-rings are made of aluminum. The canopy and mounting hardware are made of steel.

Additional Notes

Shades with a black or brass exterior come with a black cord. Shades with a white exterior come with a white cord.

* When purchasing a Swell modular pendant light, an Accessory Kit containing a power feed cord and canopy must be purchased, UNLESS the light is added to an existing string which already contains a power feed cord and canopy. Additional lights can be added individually, up to 34 lights.

** Swell modular pendants with mixed lights come standard with a vertical mounting kit included. If desired, a Horizontal Mounting Kit may be purchased separately. The Horizontal Mounting Kit is 30 feet long and supports up to 12 lights.

All Swell lighting is damp rated and ETL and RoHS certified. Swell complies with Dark Sky, and Title 20.



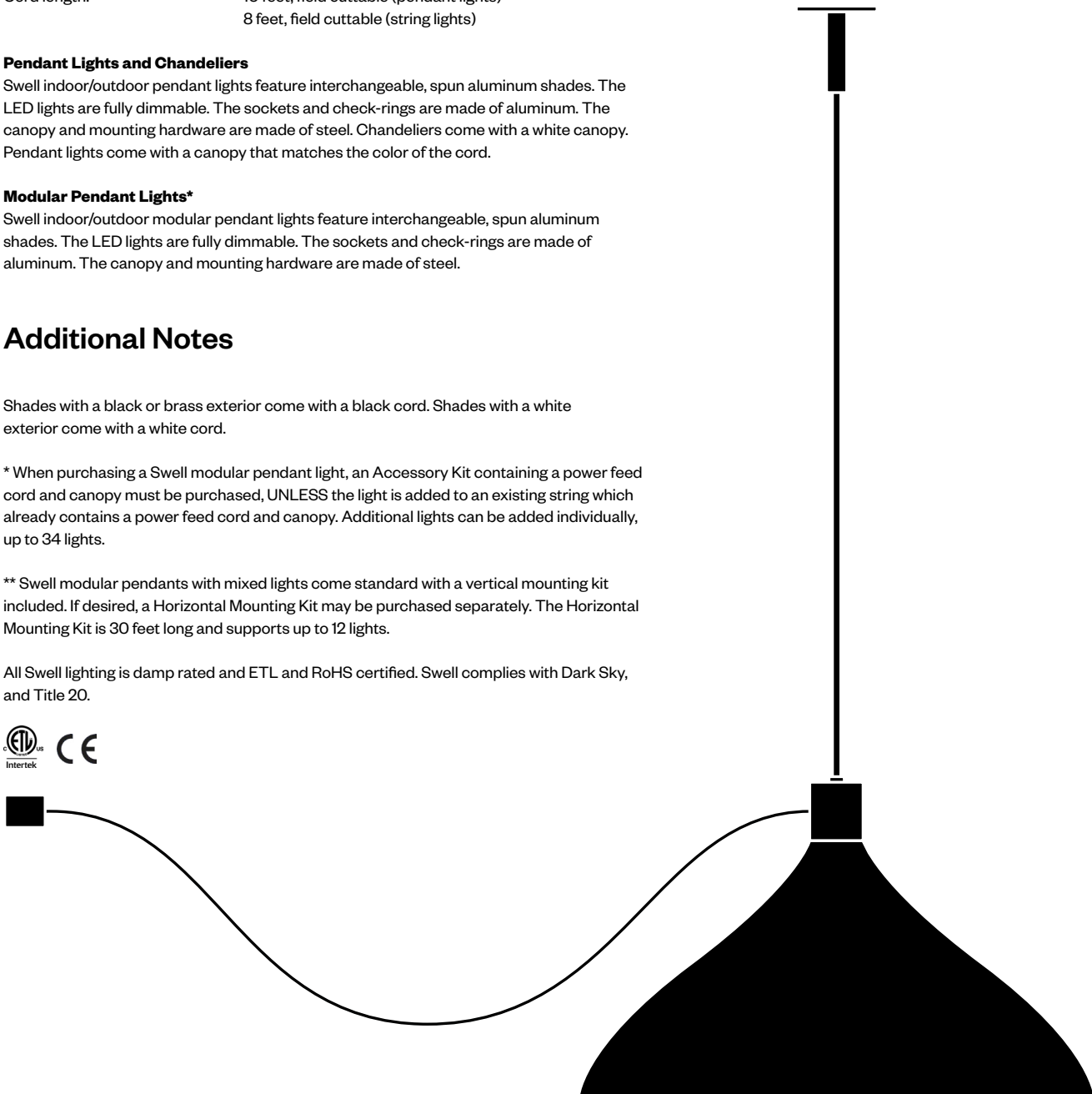
Surfaces

Standard Trim

Black Exterior, Brass Interior (TR-S01)
White Exterior, Brass Interior (TR-S03)

Premium Trim

Brass Exterior, Brass Interior (TR-S02)

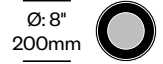
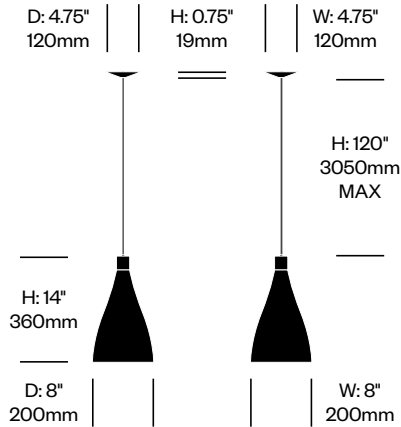


Swell

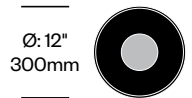
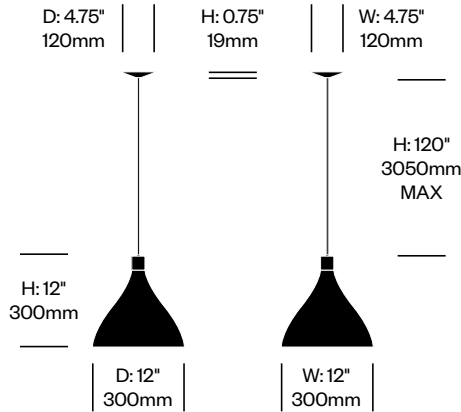
Pablo Designs | Pablo Studio | 2015 | Imported from China

To order, specify:

1. Product number
2. Trim color combination



Pendant Light, Narrow	Number	List Price
Standard Trim	LSP1-0810	295.00
Premium Trim	LSP1-0810	315.00



Pendant Light, Medium	Number	List Price
Standard Trim	LSP1-1210	385.00
Premium Trim	LSP1-1210	395.00

Swell

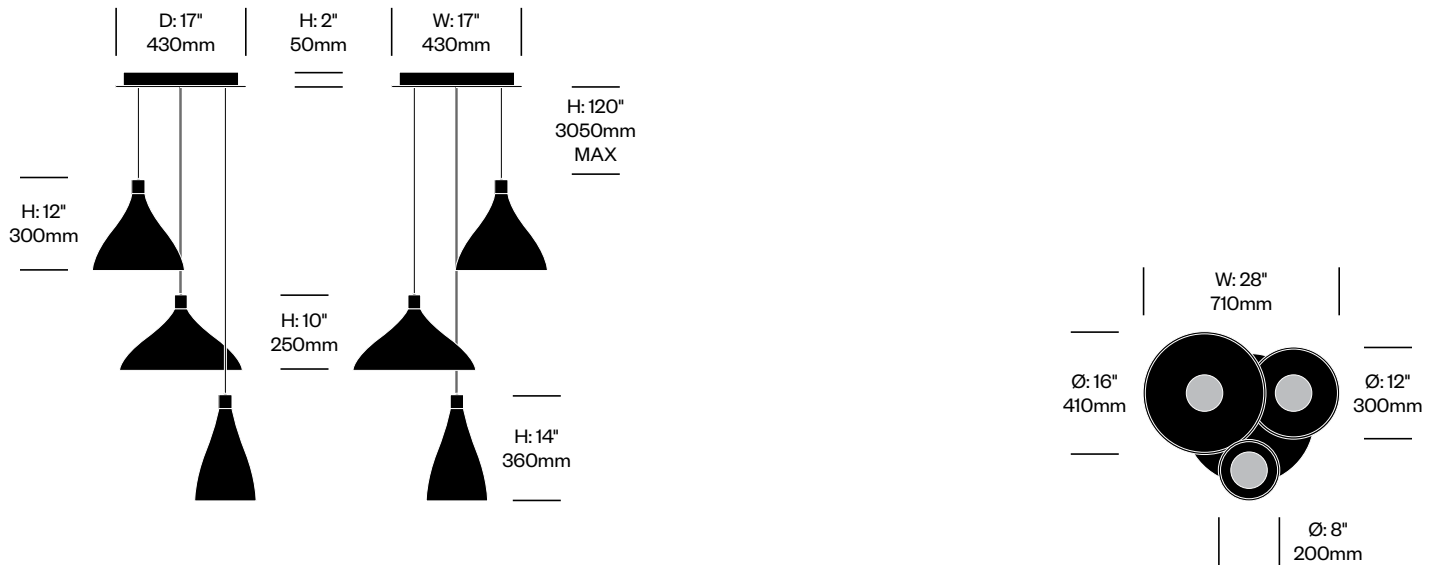
Pablo Designs | Pablo Studio | 2015 | Imported from China

To order, specify:

1. Product number
2. Trim color combination



Pendant Light, Wide	Number	List Price
Standard Trim	LSP1-1610	385.00
Premium Trim	LSP1-1610	395.00



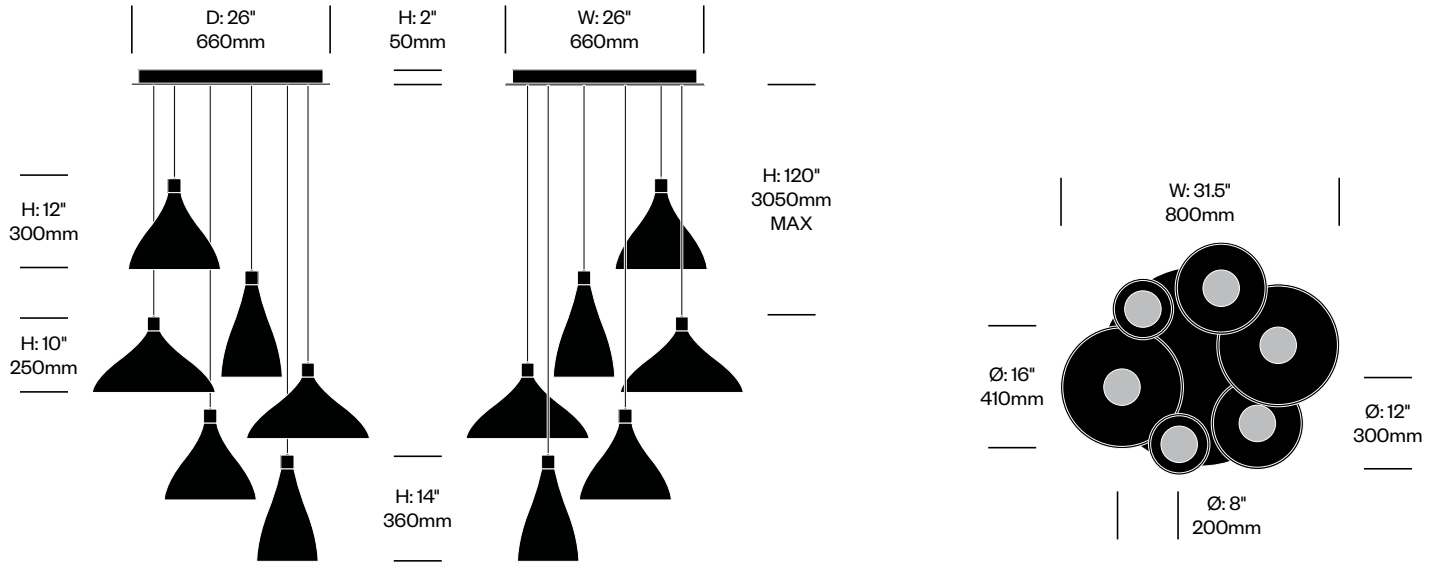
Chandelier with 3 Lights, Mixed	Number	List Price
Standard Trim	LSP3-2810	1,180.00
Premium Trim	LSP3-2810	1,240.00

Swell

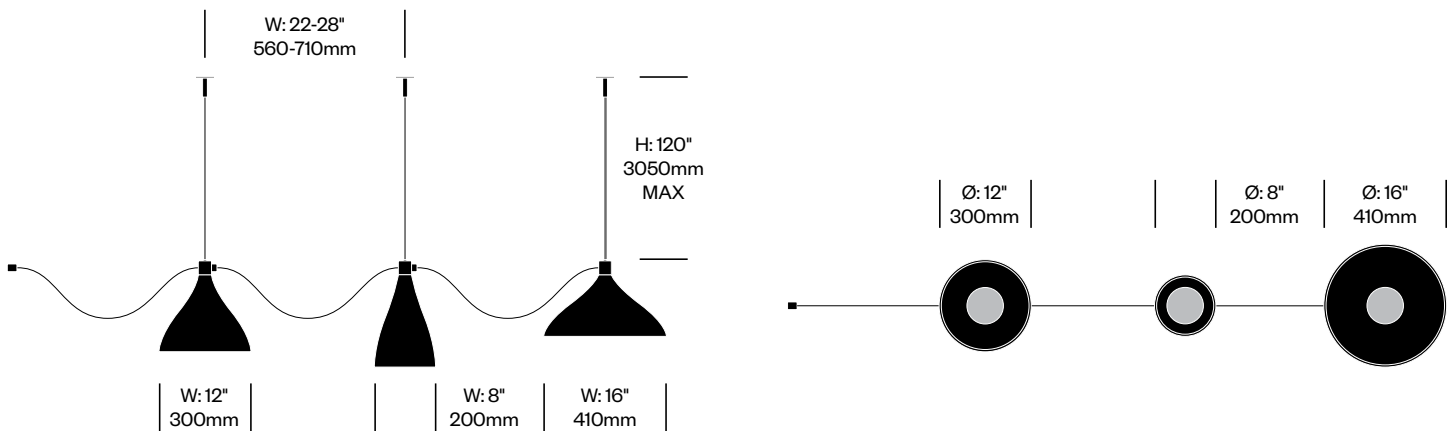
Pablo Designs | Pablo Studio | 2015 | Imported from China

To order, specify:

1. Product number
2. Trim color combination



Chandelier with 6 Lights, Mixed	Number	List Price
Standard Trim	LSP6-3110	2,290.00
Premium Trim	LSP6-3110	2,410.00



Modular Pendant with 3 Lights, Mixed	Number	List Price
Standard Trim	LSP4-3610	1,155.00
Premium Trim	LSP4-3610	1,185.00

Swell

Pablo Designs | Pablo Studio | 2015 | Imported from China

To order, specify:

1. Product number
2. Trim color combination



Modular Pendant Light, Narrow*	Number	List Price
Standard Trim	LSP2-0810	295.00
Premium Trim	LSP2-0810	315.00



Modular Pendant Light, Medium*	Number	List Price
Standard Trim	LSP2-1210	385.00
Premium Trim	LSP2-1210	395.00

Swell

Pablo Designs | Pablo Studio | 2015 | Imported from China

To order, specify:

1. Product number
2. Trim color combination



Modular Pendant Light, Wide*	Number	List Price
Standard Trim	LSP2-1610	385.00
Premium Trim	LSP2-1610	395.00

To order, specify:

1. Product number

Accessory Kit for

Modular Pendant Light*	Number	List Price
Black	LSP2-AK08-B	40.00
White	LSP2-AK08-W	40.00

Horizontal Mounting Kit**

	Number	List Price
Supports 12 Lamps	LSP4-AM30	60.00