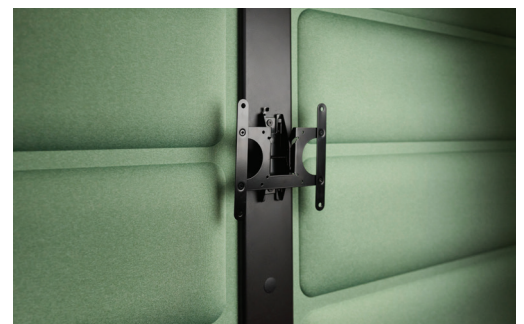


HushFree.L

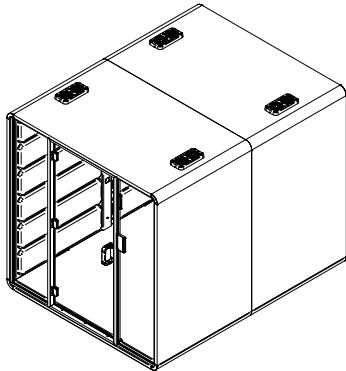


The large hushFree.L A-rated acoustic booth for 4-6 people is a convenient alternative to traditional conference rooms. It works great for larger business meetings, presentations, video meetings in a larger group or team meetings – both stationary and online. It will work equally well for other activities that require silence, concentration and privacy. HushFree.L can be equipped with table and sofas – two or four – and additional coffee tables. Thanks to the possibility of customizing the interior, you can arrange the acoustic booth exactly as your employees need it. The pod is mobile, thanks to built-in castors.

Features

- Upholstered interior panels available in 8 colors
- Acoustic measurements according to ISO 23351-1:2020 – class A
- Fully automatic efficient ventilation and LED lighting system (500 lux at tabletop level) to guarantee comfort and convenience
- Integrated castors ensuring easy booth transport
- Optional VESA standard mount for TV / monitor
- Customizing the interior with dedicated optional equipment
- Occupancy sensor and touch screen for booking

Design by
Hushoffice



DIMENSION

Exterior size		
H: 230 cm	W: 221 cm	D: 278 cm
Interior size		
H: 203,4 cm	W: 199,3 cm	D: 269,9 cm

Acoustic laminated glass door with handrail

H: 208,5 cm	W: 90 cm
-------------	----------

Weight	949 kg
--------	--------

OPTION

Table

Measuring W/D/H 1300 x 1098 x 735 mm. Made of 18 mm thick plywood covered with HPL laminate on both sides. Support leg made of 40 x 50 mm steel profile, powder-coated in cosmos grey color. Maximum load – 15 kg.

Coffe table

Measuring W/D/H 385 x 420 x 571 mm. Made of 18 mm thick plywood. Maximum load 10 kg. Available in two types of laminate finish: white and non-fingering velvet black.

Set of sofas

Seat module including backrest, available in left and right versions of 1230 x 534 x 688 mm overall dimensions. Seat height – 473 mm, backrest height from seat – 215 mm. Inner structure made of woodbased materials, sprung layer – 100% PU foam, fluffy fleece 100% Polyester. Outer layer – upholstery fabric. Maximum load of the sofa – 220 kg.

TV mounting set

Adapter for mounting a TV monitor with VESA bracket (mm): 75 x 75; 100 x 100; 100 x 200; 200 x 100; 200 x 200 with overall dimensions 221 x 226 x 45 mm. Adapted for mounting on the centre column of the booth by means of mounting screws which are an integral part of the column. Structure made of bent sheet metal powder-coated in cosmos grey color.

Reservation module (optional):

Measuring 114 x 22.5 x 192 mm. Luminous side panel and touchscreen display indicating booth occupancy, enabling reservations, prepared to be integrated with the booth's power supply. The system can be integrated with the Microsoft 365 platform.

Booth occupancy indicator (optional)

Booth occupancy light indicator, measuring 86 x 86 x 37 mm, prepared to be integrated with the ventilation module power supply. Adapted to be positioned on the booth ceiling anywhere within 1000 mm of the fan housing. Actuated by a motion sensor.

UPHOLSTERY & FINISHES

Exterior

3 layer honeycomb board, 38 mm thickness, both sides melamine covered, finished with zero-joint edge laser technology. The structure is prepared for seismic anchoring.

Interior panels

Made as a composite based on PETFELT, polyester fleece and fabric. PUR fire-retardant foam with acoustic properties, re-bonded.

Glass

Acoustic and laminated glass 10 mm (RW = 35 dB), 5.5.2 thickness, including the 5 mm glass, 2 mm acoustic sheet and 5 mm glass. Placed in aluminum profiles with acoustic seal. Transparent glass. Matte version as an option.

Upholstery

Athlon Plus: **weight:** 750 g/m²; **composition:** 56% polyester, 44% Trevira CS; **flammability:** cigarette (BS EN 1021-1), cigarettes and matches (BS EN 1021 1&2), CA TB 117-2013; **light fastness:** 5 (EN ISO 105B02); **pilling resistance:** 5 (EN ISO 12945-2); **abrasion resistance:** 100.000 Martindale cycles (EN ISO 12947-2); **certification:** OEKO-TEX® STANDARD 100.

Carpet

Complies with ASTM D2859 – 16 (2021), standard test method for ignitability characteristics of ready to use textile floor covering materials. Adapted to commercial intensive use (hotel room, hotel suite, boutique, shop, restaurant, conference room, high traffic office, reception, stairs). Graphite color.

FEATURES AND SPECIFICATIONS

Air ventilation system

Motion sensor activated, 4 fans, maximum performance of the fans – 640 m³/h, total air change in 59 s.

Electrification

Led ceiling light x4.

Power supply module (basic): 2x power supply 230V, 2x RJ45. Power supply module (optional, as required): type A charger, 1x type C charger with a total power of 5.0 V/4.0 A MAX, HDMI. Power cable: black – access from the floor with 5000 mm overall length. Access from the booth exit, 3400 mm. Lan plug CAT.6: available with 5000 mm total cable length, and available with 3400 mm at the booth exit. Motion sensor: located in the ceiling, activates lighting and ventilation systems at 50% of total power. Standby power consumption 5 W.

Maximum power consumption of the product 125 W.

ACOUSTICS

Acoustic measurements according to ISO 23351-1:2020 – class A.

SEISMIC ANCHORAGE

All Hushoffice products come with Seismic Anchoring capability as standard solution.