

# BuzziJet

BuzziSpace | BuzziSpace Studio | 2018

Based on the principles of geometric acoustics, BuzziJet is a simple, modern pendant light expertly designed to absorb and diffuse sound. Available in small or medium sizes, BuzziJet's oversized upholstered body appears lightweight and airy in a wide selection of fabrics that seamlessly cover the foam core cylinder.

HAWORTH® Collection

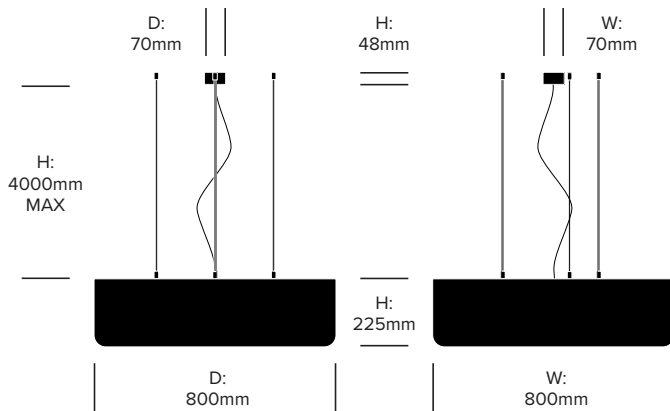
# BuzziJet

BuzziSpace | BuzziSpace Studio | 2018 | Imported from the Netherlands

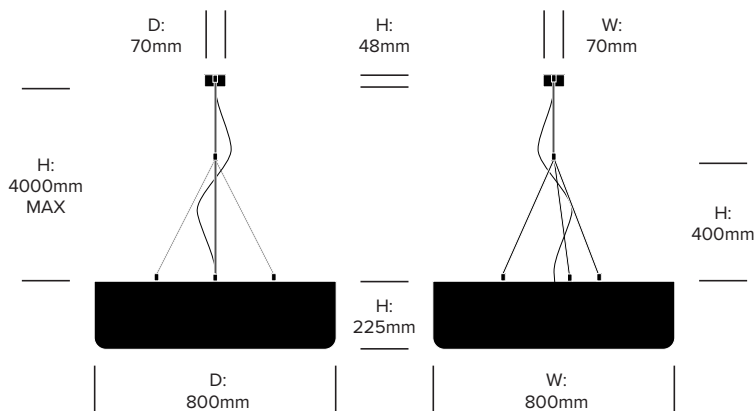


## DIMENSIONS

### Small Pendant with Straight Cables



### Small Pendant with Split Cables



## UPHOLSTERY & FINISHES

For a complete list of upholstery options, please refer to the color overview in the Buzzi pricelist.

### Cable Trim

Alu RAL 9006  
Black RAL 9005

## FEATURES AND SPECIFICATIONS

Voltage:	120V 50/60Hz
Power consumption:	29 watts
Color temperature:	3000K
Luminosity:	2545 lumens
Luminaire efficacy:	88 lumens/watt
Color rendition index:	>90 CRI
Rated lifespan:	50,000 hours

All BuzziJet lighting is UL and CE certified.



## ACOUSTICS

### Acoustic Principles



Absorption

### Acoustic Performance



Low Tones



Mid Tones



High Tones

HAWORTH® Collection

[haworth.com/eu/collection](http://haworth.com/eu/collection)

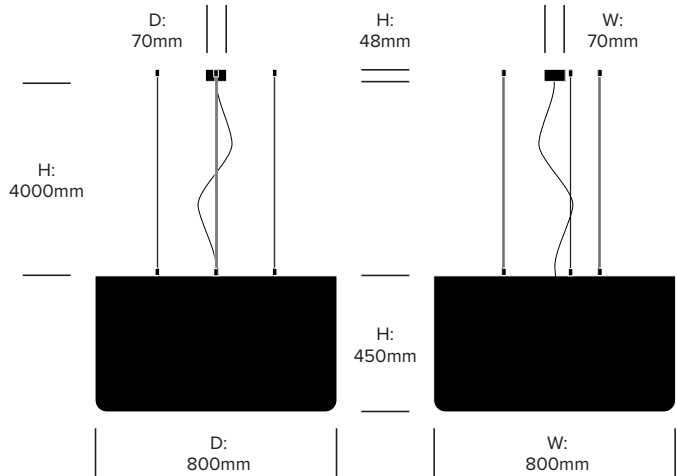
# BuzziJet

BuzziSpace | BuzziSpace Studio | 2018 | Imported from the Netherlands



## DIMENSIONS

### Medium Pendant with Straight Cables



### Medium Pendant with Split Cables

