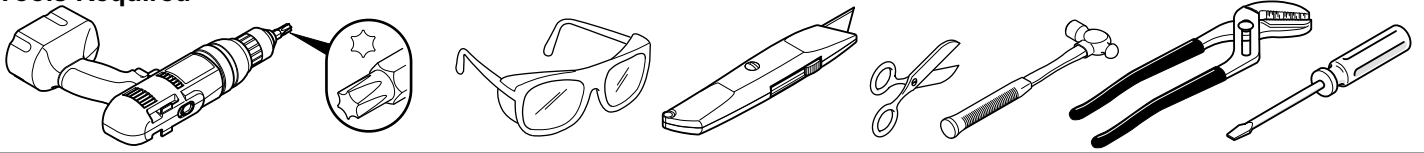




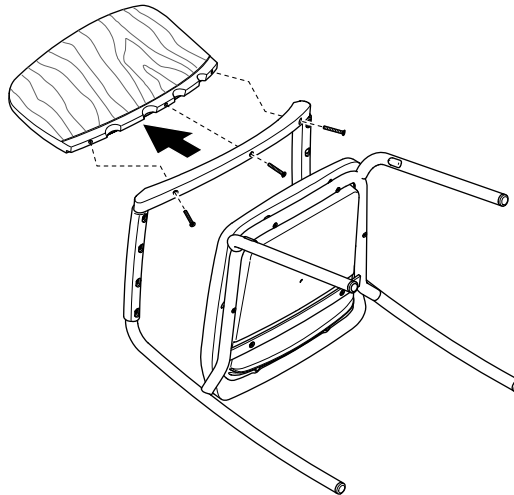
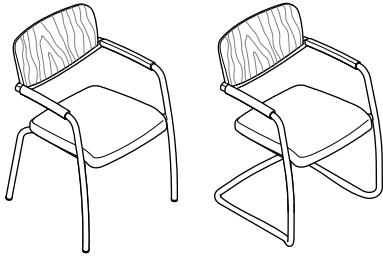
ZODY®

Guest Chair
Disassembly & Recycling Instructions

Tools Required



1

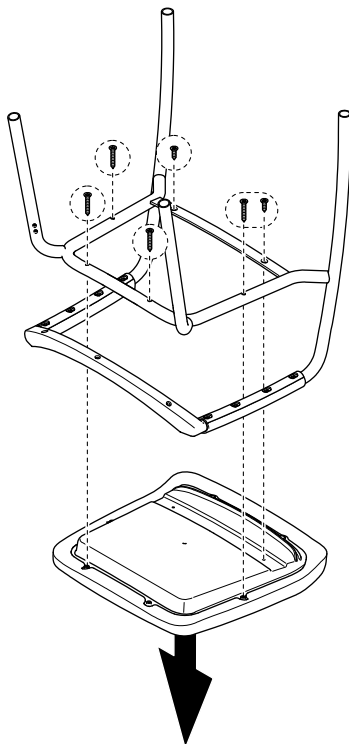


RECYCLE BINS

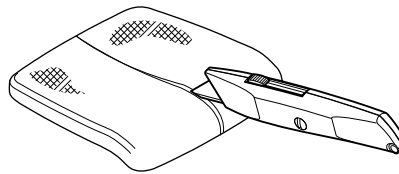
STEEL

WOOD

2



3

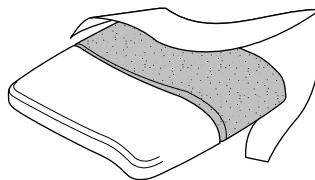
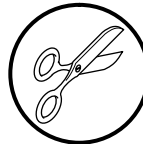


RECYCLE BINS

STEEL

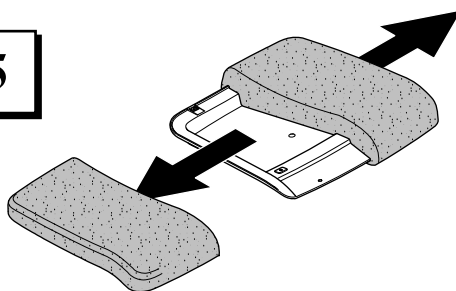
MATERIAL

4



FOAM

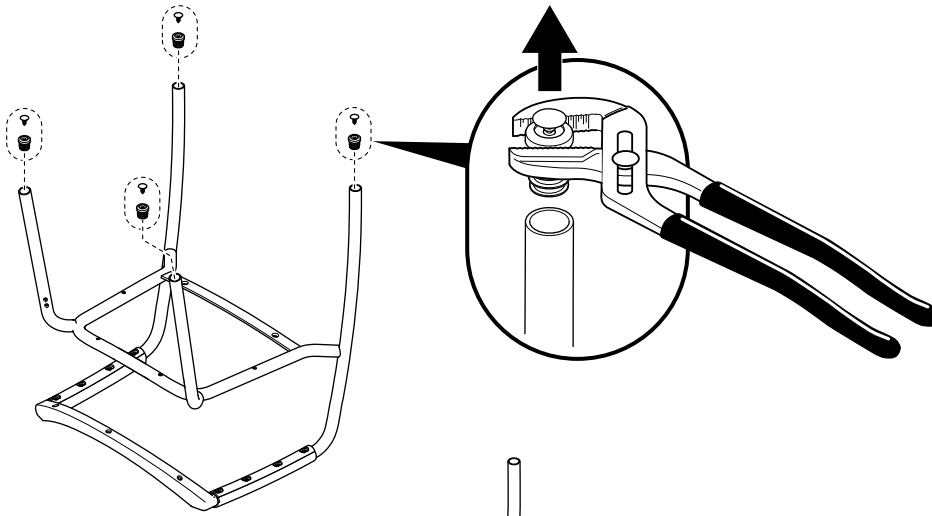
5



PLASTIC

CUSTOMER SERVICE PHONE: 1-800-426-8562

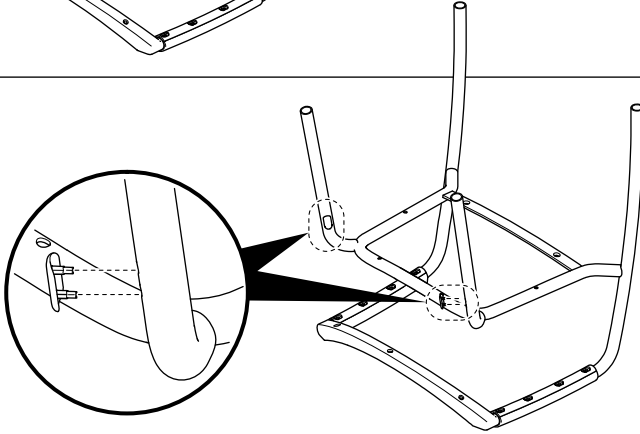
6



RECYCLE BINS

PLASTIC

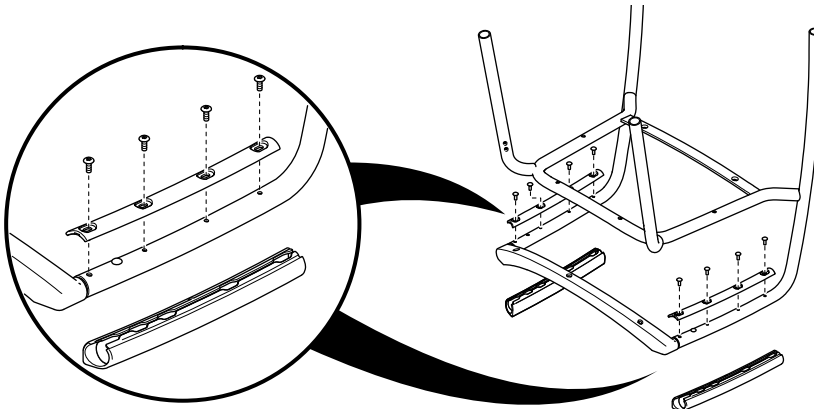
7



RECYCLE BINS

PLASTIC

8

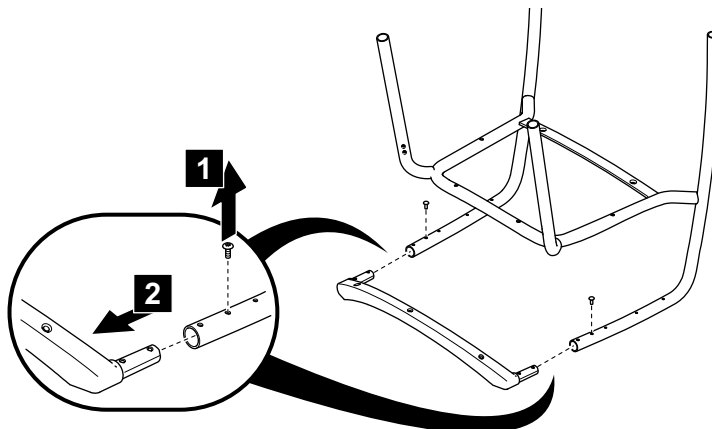


RECYCLE BINS

STEEL

PLASTIC

9



RECYCLE BINS

STEEL

ALUMINUM

CUSTOMER SERVICE PHONE: 1-800-426-8562

HAWORTH®