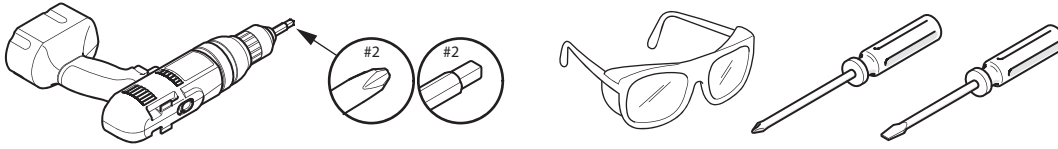




CHICK POUF®
Ottoman (Square & Rectangle & Round)
 Disassembly & Recycling Instructions

Tools Required

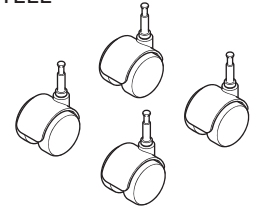


FOR CASTERS

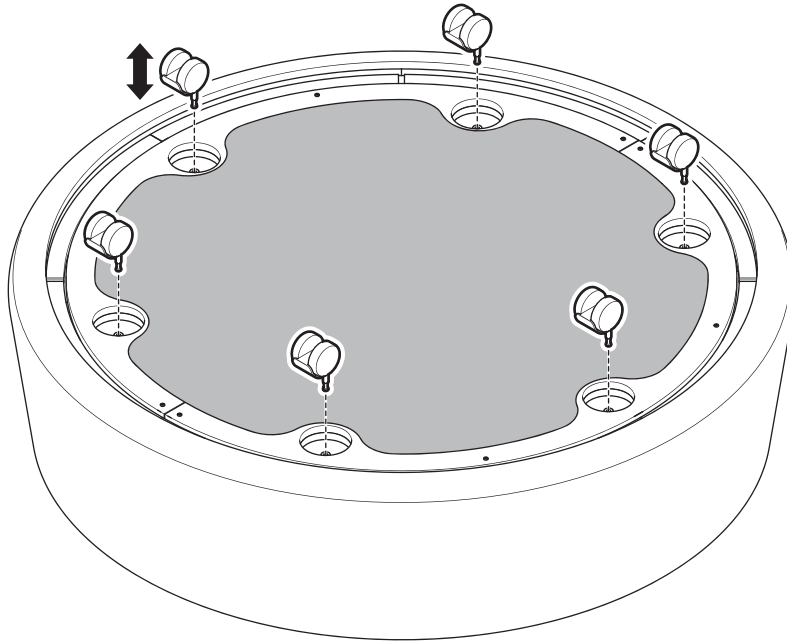


RECYCLE BINS

STEEL

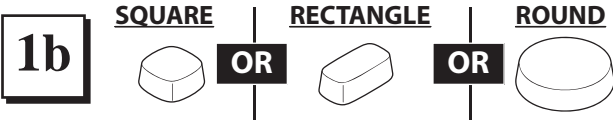


1a



OR

FOR GLIDES



RECYCLE BINS

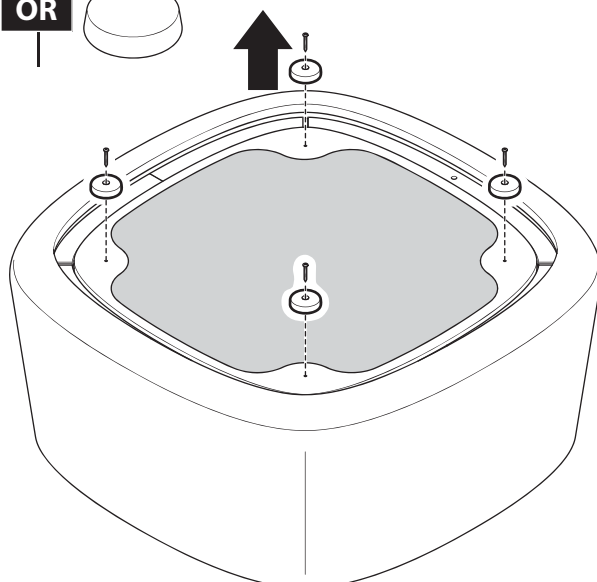
STEEL



PLASTIC



1b



CUSTOMER SERVICE PHONE: 1-800-426-8562

2

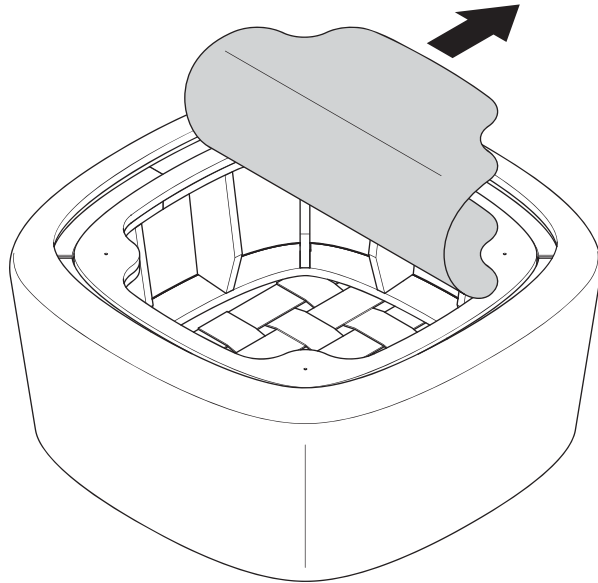
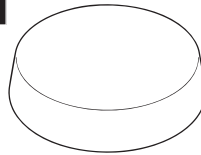
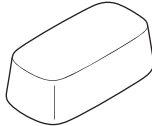
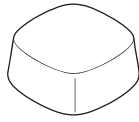
SQUARE

OR

RECTANGLE

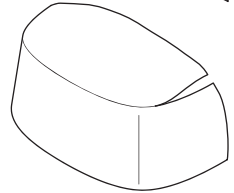
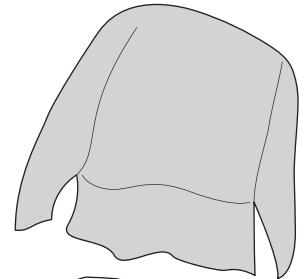
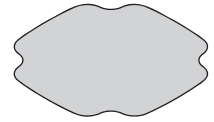
OR

ROUND

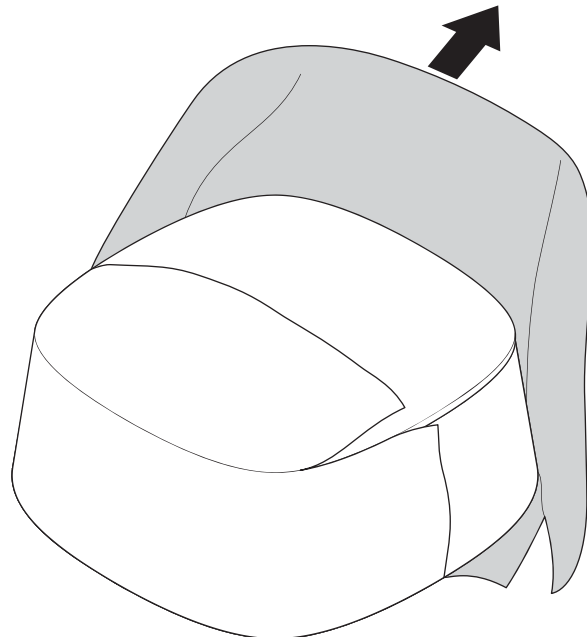
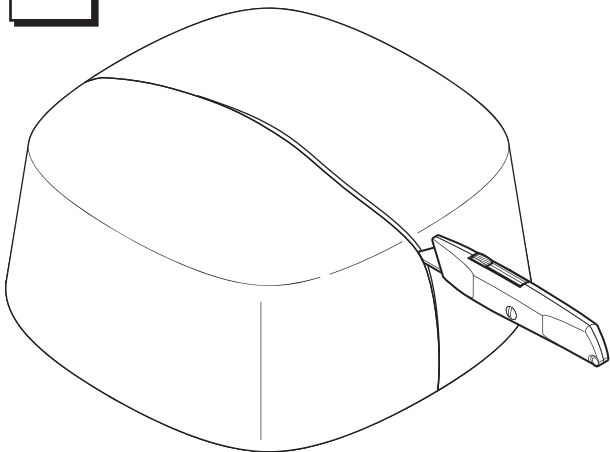


RECYCLE BINS

FABRIC



3



CUSTOMER SERVICE PHONE: 1-800-426-8562

HAWORTH®

E.C.O. No: 295-296

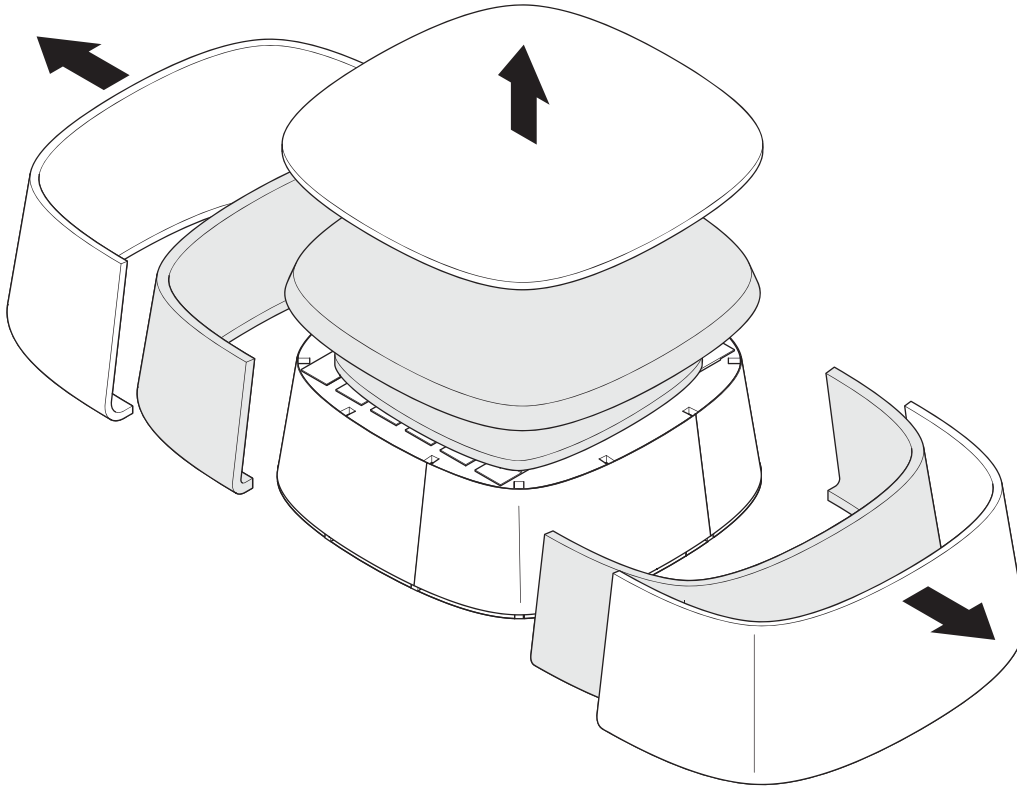
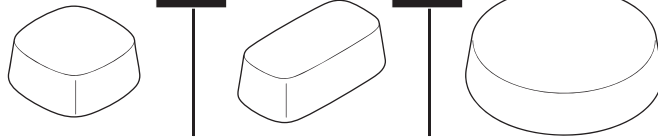
Page: 2 OF 4

Part No: Chick Pouf Recycle

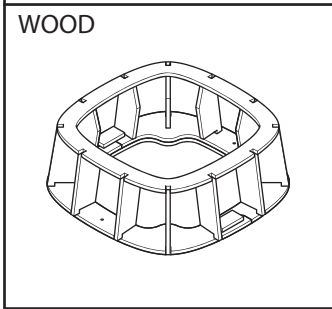
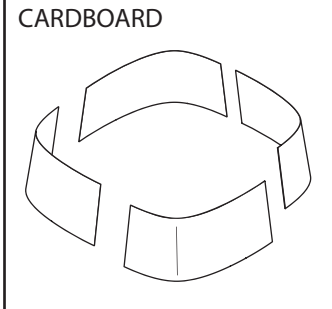
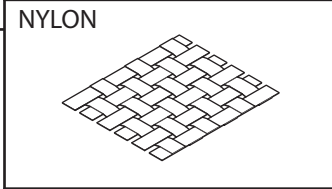
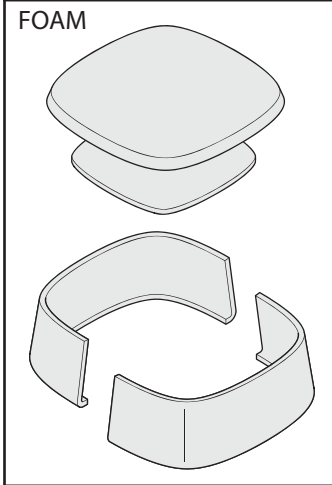
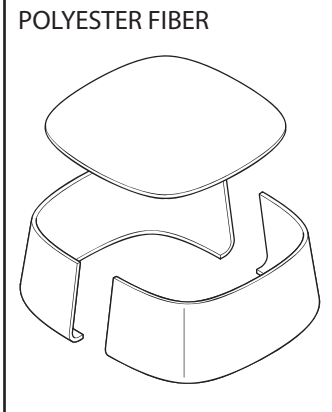
Rev: 1

4

SQUARE OR RECTANGLE OR ROUND

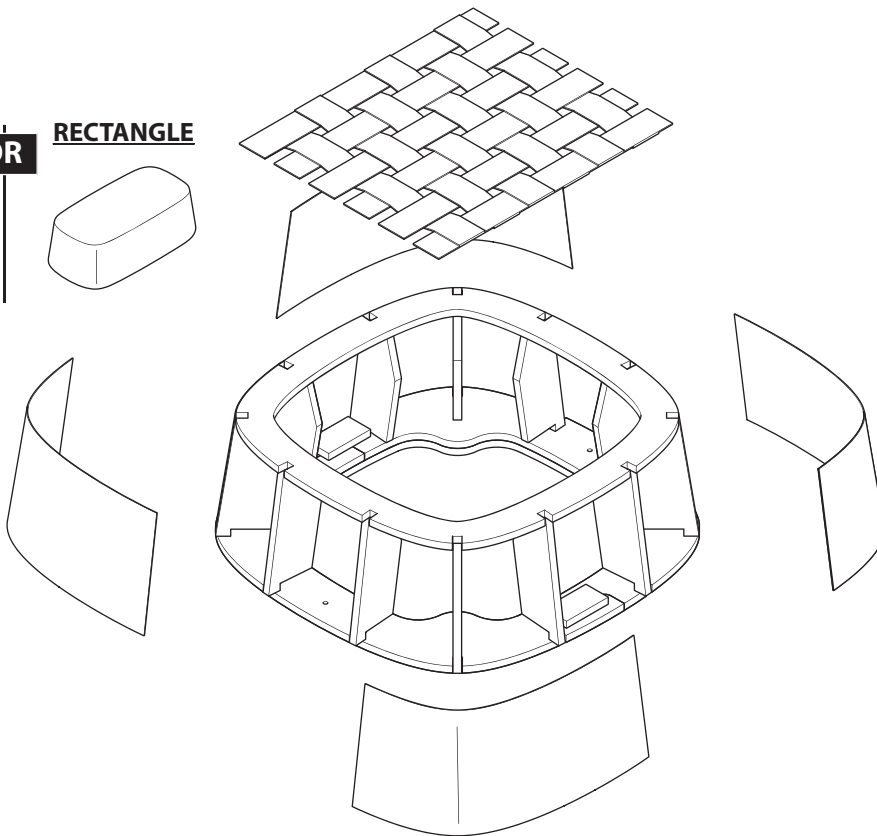
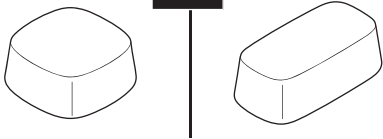


RECYCLE BINS



5

SQUARE OR RECTANGLE



CUSTOMER SERVICE PHONE: 1-800-426-8562

HAWORTH®

E.C.O. No: 295-296

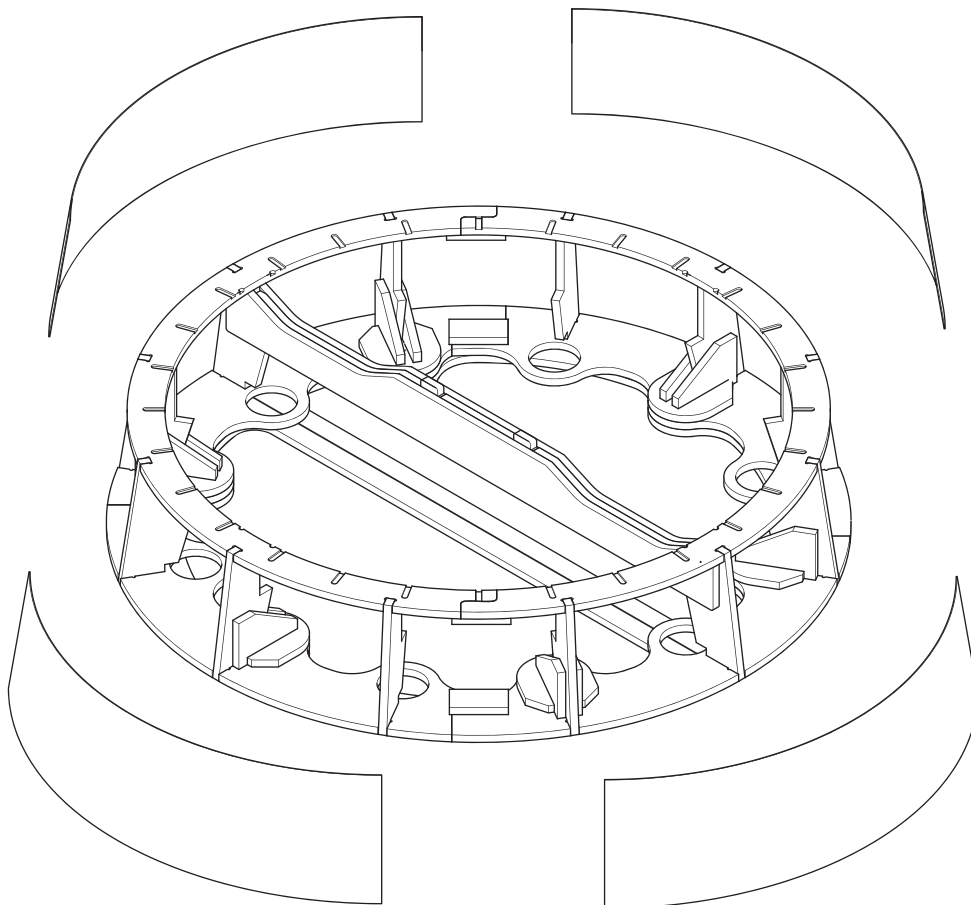
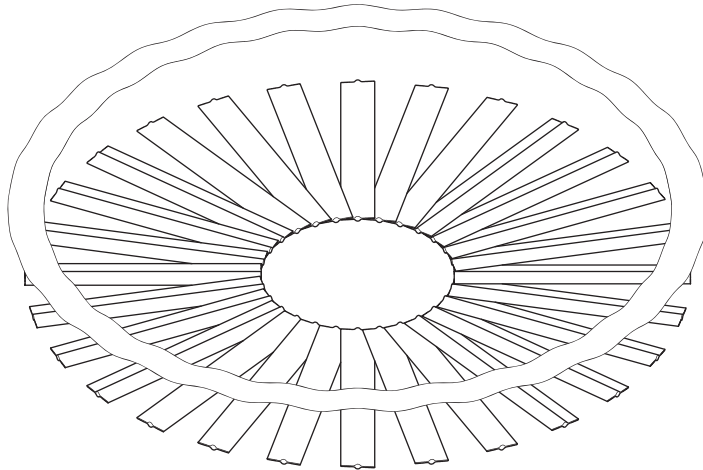
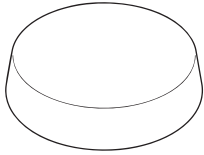
Page: 3 OF 4

Part No: Chick Pouf Recycle

Rev: 1

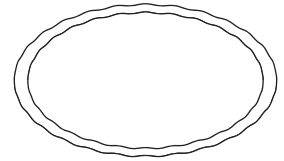
6

ROUND

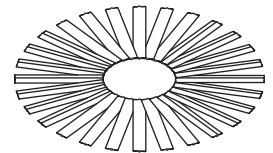


 RECYCLE BINS

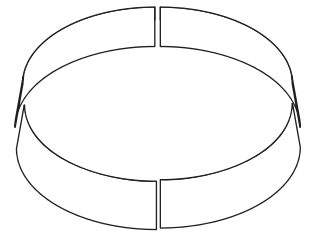
NYLON



FIBERGLASS



CARDBOARD



WOOD

